

Input / Output Modules

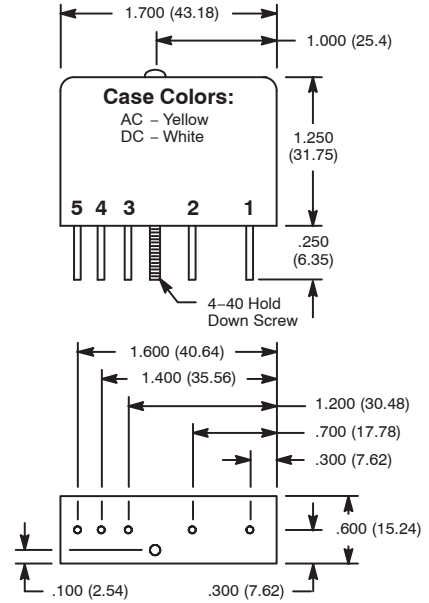
RIM Series



Input Digital Modules D28

Features

- 4KV Optical Isolation
- Industry Standard Packaging
- Plugs into Standard I/O Module Mounting Board
- Industry Standard Color Code (AC=Yellow, DC=White)
- AC & DC Types



INPUT SPECIFICATIONS

| NTE Type No. | Nominal Input Voltage | Input Voltage | | Input Control Max mA | Drop Out Current | Allowable Input For NO Output | Diag No. |
|--------------|-----------------------|---------------|----------|----------------------|------------------|-------------------------------|----------|
| | | Min | Max | | | | |
| RIM-IAC5 | 120 VAC | 90 Vrms | 140 Vrms | 10 | 2.5mA | 3.0mA | D28A |
| RIM-IAC15 | 120 VAC | 90 Vrms | 140 Vrms | 10 | 2.5mA | 3.0mA | D28A |
| RIM-IAC5A | 240 VAC | 180 Vrms | 280 Vrms | 10 | 1.5mA | 2.0mA | D28A |
| RIM-IAC15A | 240 VAC | 180 Vrms | 280 Vrms | 10 | 1.5mA | 2.0mA | D28A |
| RIM-IAC24A | 240 VAC | 180 Vrms | 280 Vrms | 10 | 1.5mA | 2.0mA | D28A |
| RIM-IDC5 | 5 - 28 VDC | 10 VDC | 36 VDC | 34 | 1.0mA | 1.5mA | D28B |
| RIM-IDC24 | 5 - 28 VDC | 3.3 VDC | 32 VDC | 34 | 1.0mA | 1.5mA | D28B |

OUTPUT SPECIFICATIONS

| NTE Type No. | Nom. Logic Supply Vltg. | Logic Supply Vltg. | | Max Logic Supply Current | Maximum Output | | Max Output Leakage Curr. | Max Output Vltg. Drop | Diag No. |
|--------------|-------------------------|--------------------|--------|--------------------------|----------------|----------|--------------------------|-----------------------|----------|
| | | Min | Max | | Volts | Current | | | |
| RIM-IAC5 | 5.0 VDC | 2.75 VDC | 6 VDC | 16mA DC | 30 VDC | 50mA ADC | 10µA DC | 200mV DC | D28A |
| RIM-IAC15 | 15 VDC | 12 VDC | 18 VDC | 16mA DC | 30 VDC | 50mA ADC | 10µA DC | 200mV DC | D28A |
| RIM-IAC5A | 5 VDC | 2.75 VDC | 6 VDC | 16mA DC | 30 VDC | 50mA ADC | 10µA DC | 200mV DC | D28A |
| RIM-IAC15A | 15 VDC | 12 VDC | 18 VDC | 16mA DC | 30 VDC | 50mA ADC | 10µA DC | 200mV DC | D28A |
| RIM-IAC24A | 24 VDC | 20 VDC | 30 VDC | 16mA DC | 30 VDC | 50mA ADC | 10µA DC | 200mV DC | D28A |
| RIM-IDC5 | 5 VDC | 2.75 VDC | 6 VDC | 16mA DC | 30 VDC | 50mA ADC | 10µA DC | 200mV DC | D28B |
| RIM-IDC24 | 24 VDC | 20 VDC | 30 VDC | 16mA DC | 30 VDC | 50mA ADC | 10µA DC | 200mV DC | D28B |

Electrical Specifications

Environmental

Operating: -30°C to +80°C

Storage: -40° to +100°C

Operational Characteristics

Max Turn-On Time: 20ms (AC Modules),
1ms (DC Modules)

Max Turn-Off Time: 30ms (AC Modules),
1ms (DC Modules)

Insulation Characteristics

Input to Output Isolation Voltage: 4000 VRMS

ACCESSORIES

| MOUNTING STYLES | DESCRIPTION | NTE TYPE NO. |
|-----------------|-------------------|--------------|
| DIN RAIL MOUNT | 2-POSITION SOCKET | RLY9142 |

Diagram A - AC Input

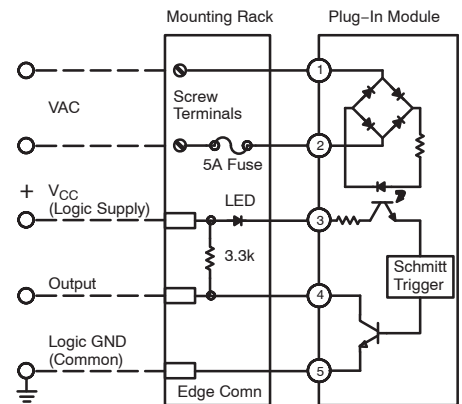


Diagram B - DC Input

