

1 2 3 4 5 6 7 8

F

F

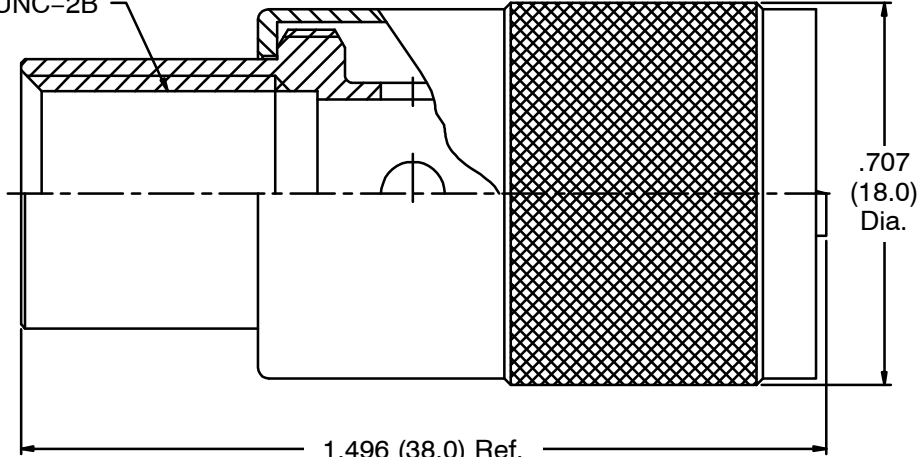
REMARKS:

- No. 3 must withstand a 6 lbs. min. pushout force from No. 2 after staking operation.
- Remark 1 is maintained by stamping the 6 points shown on the drawing without puncturing No. 2.

E

E

7/16-14UNC-2B



D

D

C

C

B

B

RoHS Compliant

NOTES: Finish (Plating Thickness in Micro-inches)
 1. Brass
 2. Nickel Pl. 100 Min. Thick over Copper Pl. 50 Min, Thick
 3. Silver Pl. 100 Min. Thick over Copper Pl. 50 Min, Thick
 4. BAKELITE

A

A

Dimensions are in Inches				Part No.		<h1>NTE Electronics</h1>			
Unless Otherwise Specified Tolerances				Approved	Date		Title		
0.5-6 = ±0.2					7-25-2017		UHF Solder Plug		
6-30 = ±0.4							(For RG-8/U, 213/U)		
30-120 = ±0.6				Checked	Date	Drawing No.			
120-315 = ±1					7-25-2017	06-U002			
315-1000 = ±1.6				Drawn	Date	File No.			
1000-2000 = ±2.4					7-25-2017				
No.	Description	Material	Finish	Q'ty	Drawing No.	Scale	3/1	Issue	B1

1 2 3 4 5 6 7 8

4	Contact Pin	Note 1	Note 3	1	
3	Insulator	Note 4	Brown	1	
2	Body	Note 1	Note 3	1	
1	Shell	Note 1	Note 2	1	