

Input / Output Modules

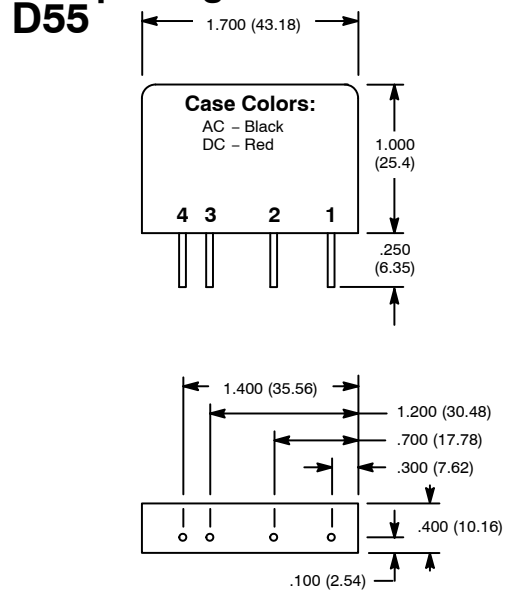
RIM Series



Slimline Output Digital Modules D55

Features

- AC & DC Types
- 4KV Optical Isolation
- Slimline Packaging
- Plugs into Standard I/O Module Mounting Board
- Industry Standard Color Code (AC=Black, DC=Red)



INPUT SPECIFICATIONS

| NTE Type No. | Nom. Input Vltg. | Min Turn-on Vltg. | Max Input Vltg. | Drop-Out Vltg. | Typ Input Curr. | Nom. Input Res. | Diag No. |
|--------------|------------------|-------------------|-----------------|----------------|-----------------|-----------------|----------|
| RIM-OAC5M | 5 VDC | 3 VDC | 8 VDC | 1.0VDC | 20mA | 220Ω | D55A |
| RIM-OAC15M | 15 VDC | 9 VDC | 18 VDC | 1.0VDC | 16mA | 1000Ω | D55A |
| RIM-OAC24M | 24 VDC | 18 VDC | 32 VDC | 1.0VDC | 14mA | 2200Ω | D55A |
| RIM-OAC5AM | 5 VDC | 2.75 VDC | 8 VDC | 1.0VDC | 20mA | 220Ω | D55A |
| RIM-OAC15AM | 15 VDC | 9 VDC | 18 VDC | 1.0VDC | 16mA | 1000Ω | D55A |
| RIM-OAC24AM | 24 VDC | 18 VDC | 32 VDC | 1.0VDC | 14mA | 2200Ω | D55A |
| RIM-ODC5M | 5 VDC | 3 VDC | 8 VDC | 1.0VDC | 20mA | 220Ω | D55B |
| RIM-ODC15M | 15 VDC | 9 VDC | 18 VDC | 1.0VDC | 16mA | 1000Ω | D55B |

OUTPUT SPECIFICATIONS

| NTE Type No. | Nom. Line Vltg. | Line Voltage | | On-State Current | | Peak On-State Voltage | Max Surge Current | Diag No. |
|--------------|-----------------|--------------|----------|------------------|------|-----------------------|-------------------|----------|
| | | Min | Max | Min | Max | | | |
| RIM-OAC5M | 120 Vrms | 12 Vrms | 140 Vrms | 50mA | 3.0A | 1.6V | 80A Peak | D55A |
| RIM-OAC15M | 120 Vrms | 12 Vrms | 140 Vrms | 50mA | 3.0A | 1.6V | 80A Peak | D55A |
| RIM-OAC24M | 120 Vrms | 12 Vrms | 140 Vrms | 50mA | 3.0A | 1.6V | 80A Peak | D55A |
| RIM-OAC5AM | 240 Vrms | 24 Vrms | 280 Vrms | 50mA | 3.5A | 1.6V | 100A Peak | D55A |
| RIM-OAC15AM | 240 Vrms | 24 Vrms | 280 Vrms | 50mA | 3.0A | 1.6V | 80A Peak | D55A |
| RIM-OAC24AM | 240 Vrms | 24 Vrms | 280 Vrms | 50mA | 3.0A | 1.6V | 80A Peak | D55A |
| RIM-ODC5M | 5-48VDC | 3 VDC | 60 VDC | 20mA | 3.0A | 1.5V | 5A (1sec) | D55B |
| RIM-ODC15M | 5-48VDC | 3 VDC | 60 VDC | 20mA | 3.0A | 1.5V | 5A (1sec) | D55B |

Electrical Specifications

Environmental

Operating: 0°C to +80°C
Storage: -40°C to +125°C

Capacitance

Input to Output: 8pF Max

Insulation Characteristics

Input to Output Isolation Voltage: 4000 VRMS

ACCESSORIES

| MOUNTING STYLES | DESCRIPTION | NTE TYPE NO. |
|-----------------|-------------------|--------------|
| DIN RAIL MOUNT | 2-POSITION SOCKET | RLY9142 |

Diagram A - AC Output

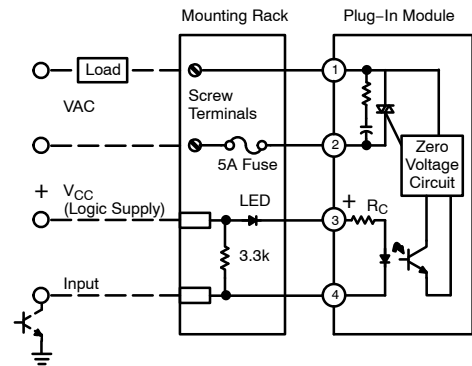
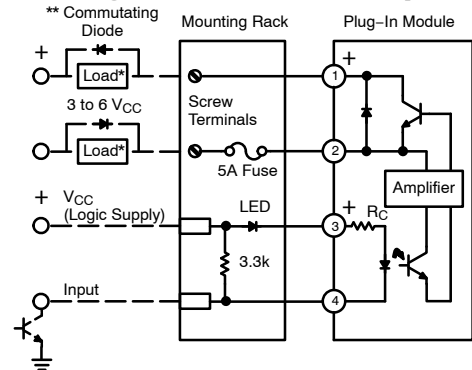


Diagram B - DC Output



* Sink or source current
** Must be used on inductive loads.