

1 2 3 4 5 6 7 8

F

F

E

E

D

D

C

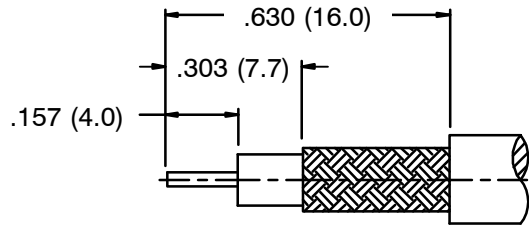
C

B

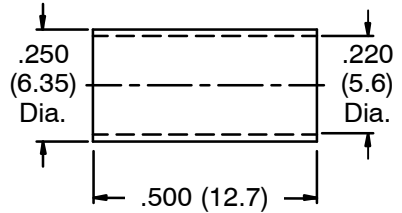
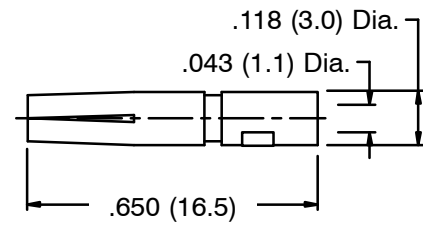
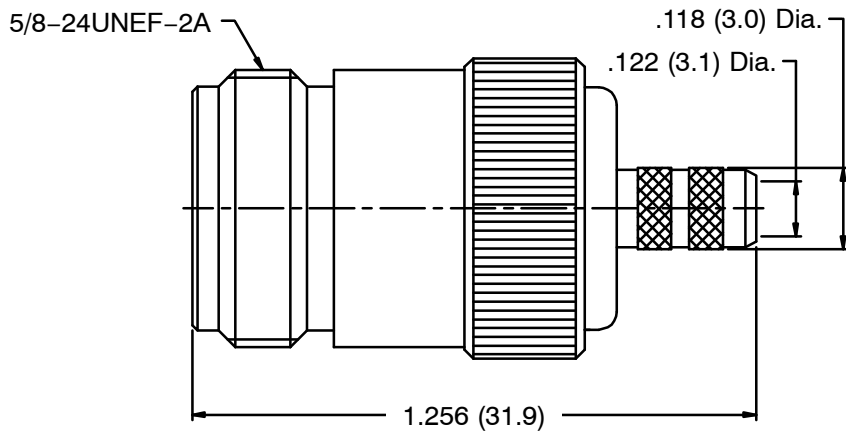
B

A

A



Recommended Cable Stripping Dim's



Crimped Ferrule
Hex Crimp Size .213 (5.4)
Crimped Contact Pin
Hex Crimp Size .100 (2.54)

RoHS Compliant

- NOTES: Finish (Plating Thickness in Micro-inches)
1. Brass
 2. Albaloy Plating (Copper-Tin-Zinc) Pl. 80 Min. Thick
 3. Phosphor Bronze
 4. Gold Pl. 3 Min Thick over Nickel Pl. 50 Min. Thick
over Copper Pl. 50 Min. Thick
 5. TEFLON

Dimensions are in Inches				Part No.	
Unless Otherwise Specified Tolerances				Approved	
0.5-6 = ±0.2				Date	
6-30 = ±0.4				12-14-2018	
30-120 = ±0.6				Checked	
120-315 = ±1				Date	
315-1000 = ±1.6				12-14-2018	
1000-2000 = ±2.4				Drawn	
				Date	
				12-14-2018	

Title		NTE Electronics			
				N Crimp Jack (For RG-58C/U Cable)	
		Drawing No.		06-N009	
		File No.			

No	Description	Material	Finish	Q'ty	Drawing No.	Scale	2.5/1	Issue	A
5	Ferrule	Note 1	Note 2	1					
4	Contact Pin	Note 3	Note 4	1					
3	Barrel	Note 1	Note 2	1					
2	Insulator	Note 5	Natural	1					
1	Body	Note 1	Note 2	1					

1 2 3 4 5 6 7 8