



ELECTRONICS, INC.
44 FARRAND STREET
BLOOMFIELD, NJ 07003
(973) 748-5089
<http://www.nteinc.com>

69-DIM1 RF Remote Controlled LED Dimmer for Single Color LED Strips



Description:

The 69-DIM1 RF dimmer is a controller that can adjust the brightness of single color LED strips infinitely. This device is operated using a wireless controller to adjust the appropriate lighting brightness to suit your actual need.

Technical Parameters:

- Working Temperature: -4° to $+140^{\circ}\text{F}$ (-20° to $+60^{\circ}\text{C}$)
- Supply Voltage: 5V thru 24VDC
- Output: 1 Channel
- Rated Load Current: less than 8A
- Output Power: 5V (less than 40W), 12V (less than 96W), 24V (less than 192W)
- Net Weight: 3.5oz. (100g)
- Gross Weight: 4.6oz. (130g)

Interface Specifications:

Input Interface



Output Interface



Instructions:

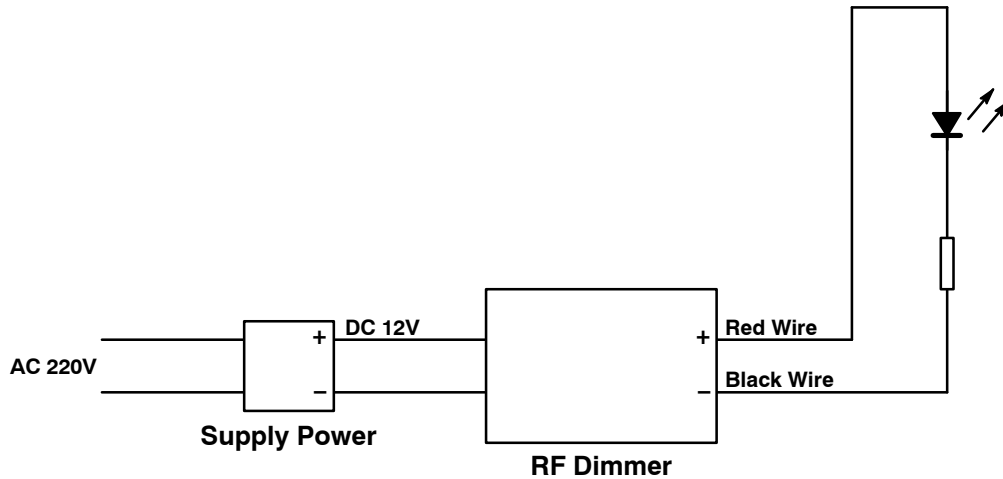
1. Connect the load wire first, followed by the power wire. Before powering up the device, be sure that the connections cannot cause a short circuit condition.

2. Adopt wireless control,

△ key is for increasing brightness,

▽ key is for reducing brightness.

Typical Applications:



Dimensional Drawing:

