



ELECTRONICS, INC.

44 FARRAND STREET  
BLOOMFIELD, NJ 07003  
(973) 748-5089  
<http://www.nteinc.com>

## 69-RTC1 RF Remote Touch RGB Controller/Dimmer for RGB LED Strips



### **Description:**

The 69-RTC1 RF remote touch dimmer is compatible with any LED RGB product. Unique touch technology, user-friendly operation, and ease of use make the 69-RTC1 the ideal device for automatically controlling LED lights. The touch ring is used for easy color access and has 4 predefined pattern modes (static color, gradual, hopping, and white light).

### **Functional Description:**

- 4 Predefined Patterns: Static Color, Gradual, Hopping, and White Light
- Brightness, Color, and Speed Control
- Power-Loss Memory Recovery Function
- Touch Surface with Full Color Selection Ring

### **Technical Specifications:**

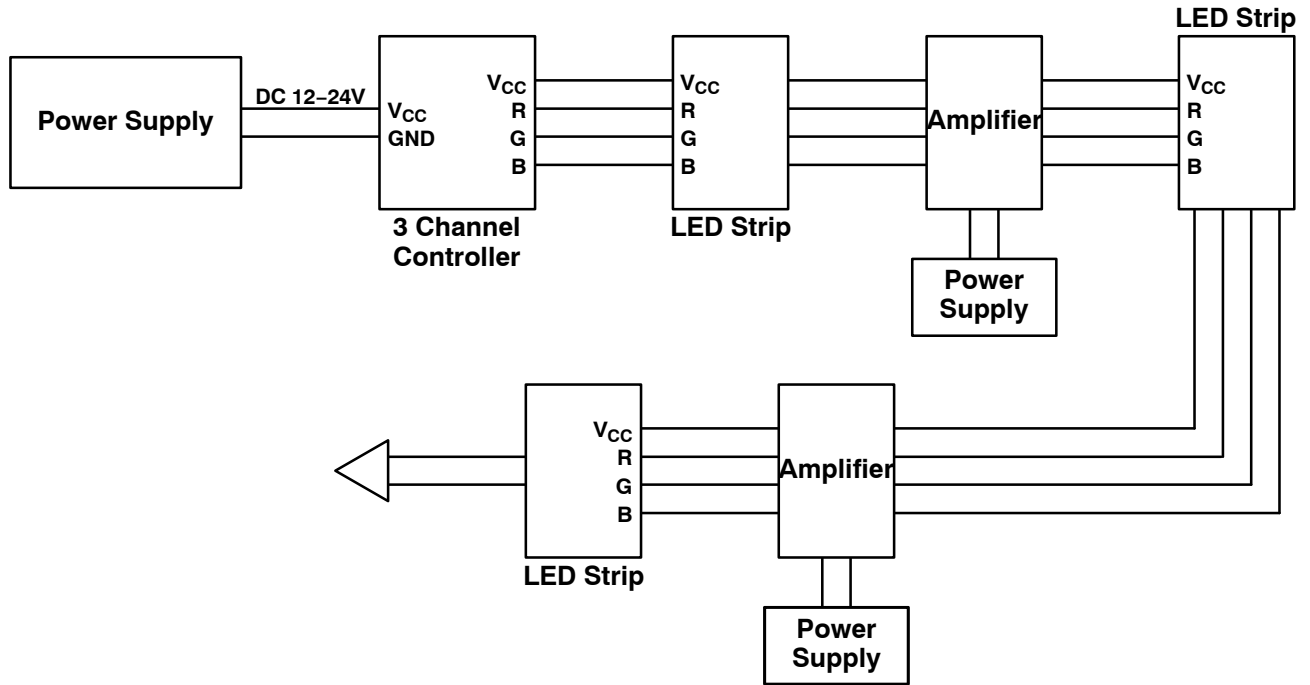
- Frequency: 433.92MHz
- Input Voltage: 12/24VDC
- Output Current: 8A \* 3Ch (12V) / 4A \* 3Ch (24V)
- Output Power: 216W (12V) / 288W (24V)
- Polarity: Common Anode
- Weight: 8.3oz. (235g)

**Key Function Descriptions:**

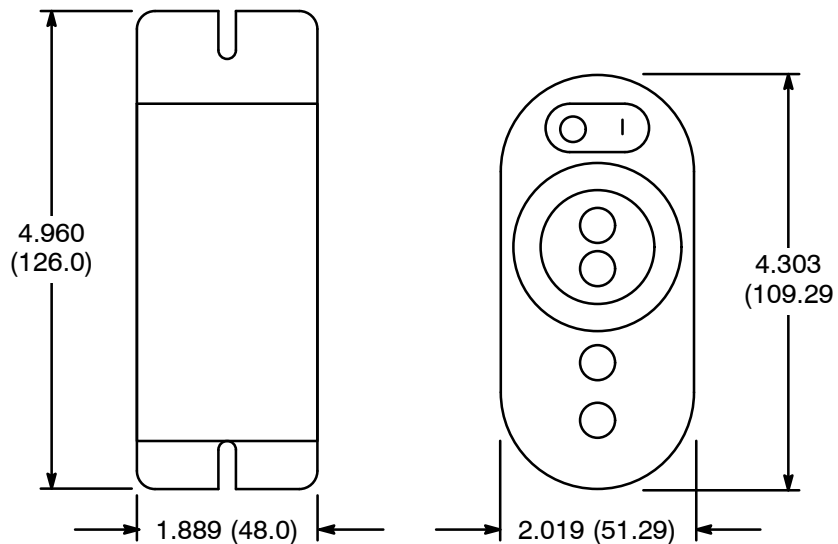


1. Power OFF
2. Power ON / Mode change
3. Speed +, static color saturation increase, white mode invalid
4. Speed -, static color saturation decrease, white mode invalid
5. Color ring, gradient mode, and white mode invalid
6. BRT+, brightness increase
7. BRT-, brightness decrease
8. Indicator

**Linking Operation:**



**Dimensions:**



## Initial Synchronization of Remote Control and Receiver:



1. Install batteries into the remote control



2. Touch the brightness-decrease button to initiate programming



3. Turn the power to the remote receiver on (all 3 LED indicators light).



4. Touch the Power On button within 3 seconds and the receiver's indicator will turn blue. You have now successfully programmed both your remote and receiver.

\* Remote receiver shown is for illustration purposes only