

# Releasable Nylon Cable Ties

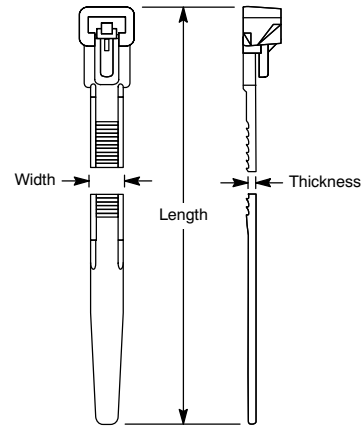


## Features

- Temporary or Permanent Bundling allows for Quick Addition or Removal of Wires or Items
- Strap Finger Release Latch allows easy Access but Reduces Snags Compared to Top Latch Style



## WT-04



### Color Code Chart

0	UV Black	9	Natural
---	----------	---	---------

## 50 lb. Releasable

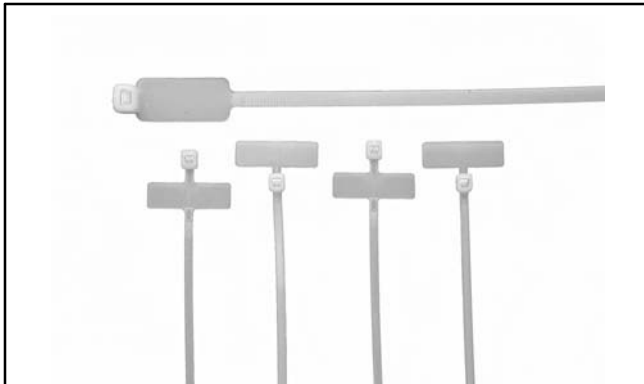
NTE Type No.	Length	Width	Thickness	Max. Bundle Dia. (Note 3)	Mil Spec	Qty. per Bag	Diag No.
04-0550RLx	5.905 / 150.0	.299 / 7.06	.050 / 1.270	1.378 / 35.0	N/A	100	WT-04
04-0850RLx	7.874 / 200.0	.299 / 7.06	.053 / 1.346	1.969 / 50.0	N/A	100	WT-04
04-1250RLx	11.811 / 300.0	.299 / 7.06	.053 / 1.346	3.150 / 80.0	N/A	100	WT-04
04-1450RLx	14.567 / 370.0	.189 / 4.80	.065 / 1.650	4.000 / 102.0	N/A	100	WT-04

# Identification Nylon Cable Ties

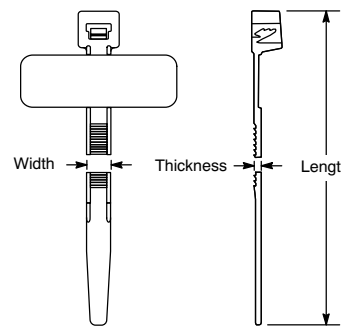


## Features

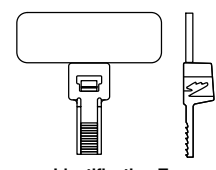
- One Easy Step to Identify and Bundle Items
- Flag Ties Extend from Bundle to be Easily Seen when Identification is Critical
- Identification Ties Reduce Snags while Providing Support to the Bundle



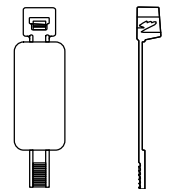
## WT-05 a. Identification Type



## b. Flag Type



## c. Identification Type



### Color Code Chart

0	UV Black	9	Natural
---	----------	---	---------

## 18 lb. Identification and Flag

NTE Type No.	Length	Width	Thickness	Max. Bundle Dia. (Note 3)	Pad Size (in)	Qty. per Bag	Diag No.
04-0418ID9	4.0 / 101.6	.100 / 2.540	.044 / 1.117	.984 / 25.0	.312 x 1.000	100	WT-05a
04-0418FL9	4.3 / 110.0	.100 / 2.540	.044 / 1.117	.984 / 25.0	.312 x 1.000	100	WT-05b

## 50 lb. Identification

NTE Type No.	Length	Width	Thickness	Max. Bundle Dia. (Note 3)	Pad Size (in)	Qty. per Bag	Diag No.
04-0750IDx	7.8 / 200.0	.181 / 4.590	.055 / 1.397	1.969 / 50.0	.500 x 1.100	100	WT-05c
04-1450ID9	14.1 / 358.1	.187 / 4.749	.055 / 1.397	2.953 / 75.0	.500 x 1.100	100	WT-05c

Note 1. Replace "x" in device number with corresponding color code from the "Color Code Chart".

Note 2. Dimensions are listed as "inch / millimeter".

Note 3. "Max. Bundle Dia." is defined as the maximum bundle diameter achieved after insertion for 3 "clicks" due to having a 3 tooth pawl.

Note 4. Identification Plates available. See "Cable Tie Accessories" on Page 7.