

LED Lenser: P2

Model Number: HP8402

Description: The P2 Moon Lens casts a perfectly circular beam of light that is great for all kinds of work.

Dimensions: **Body Length: 4.0 in** **Head Diameter: 0.53 in**

Body Diameter: 0.53 in

Weight: 1.4 oz

Case material: Aluminum body

Lens Type: Focusing Moon lens

Focus System: Twist Focus System

Light Source: LED

Beam Color: White

On / Off Switch: Rear Switch

Max Lumens Output: 11.0 lumens

Effective Range: 98 feet

Max Wattage Usage: 0.33 watts

Battery Type and Quantity: 1 x AAA

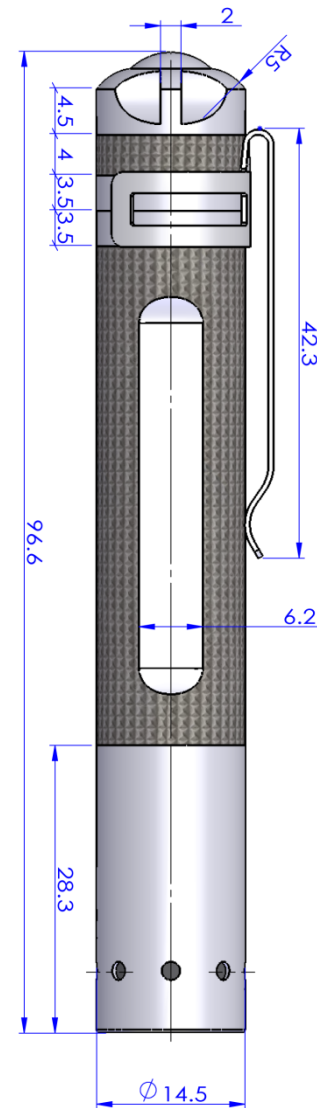
Working Battery Life: 66 hours

Warranty: Lifetime

Features: Pocket clip, Thermal management and Gold plated contacts

Included Accessories: NA

Optional Accessories: NA



Above measurements
are in mm.