

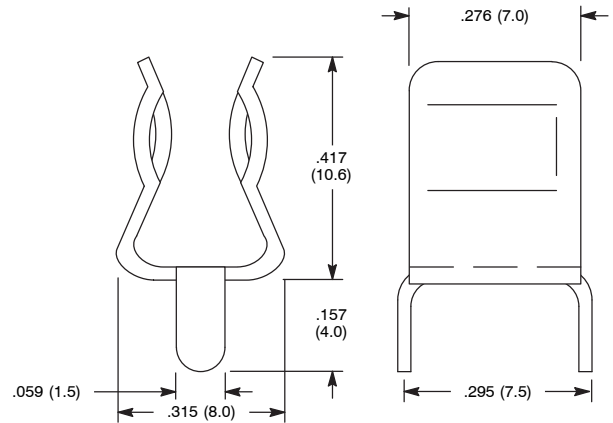
74-FC6, Fuse Clips

Specifications:

- For 6 x 30mm Fuse
- Contact Resistance: $\leq 10\text{m}\Omega$ Max
- Rating: 12A / 250VAC



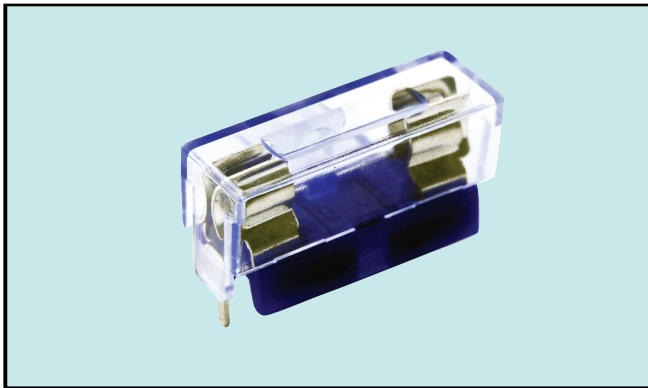
FA-03



74-FB5, Fuse Block w/Clear Cover

Specifications:

- For 5 x 20mm Fuse
- PC Mount
- Rated for Current up to 10A



FA-04

