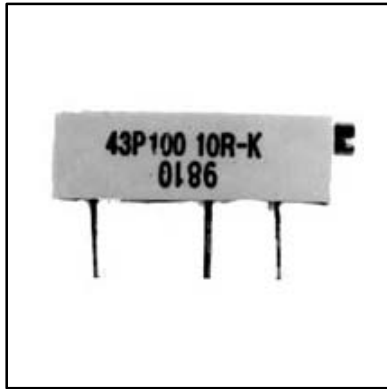


## Features

- Multifinger wiper for better contact resistance variation
- Unique "T" slider block for excellent stability and setability
- Chevron shaft for sealing and smooth constant torque
- IC style pins for easier board insertion

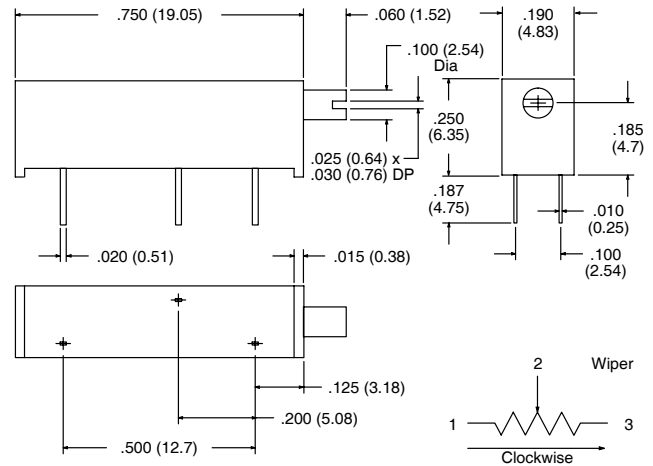


Spectrol No.	NTE Part No.	Value (Ohms)	Diag No.
43P-100	500-0001	10	T1
43P-200	500-0002	20	T1
43P-500	500-0003	50	T1
43P-101	500-0004	100	T1
43P-201	500-0005	200	T1
43P-501	500-0006	500	T1
43P-102	500-0007	1K	T1
43P-202	500-0008	2K	T1
43P-502	500-0009	5K	T1
43P-103	500-0010	10K	T1
43P-203	500-0011	20K	T1
43P-253	500-0012	25K	T1
43P-503	500-0013	50K	T1
43P-104	500-0014	100K	T1
43P-204	500-0015	200K	T1
43P-254	500-0016	250K	T1
43P-504	500-0017	500K	T1
43P-105	500-0018	1M	T1
43P-205	500-0019	2M	T1

# Spectrol 43P Series

## Trimmer – 3/4" rectangular, multiturn cermet

### T1



## Specifications

### Electrical

**Effective Travel:** 20 turns nom

**Resistance Range:** 10Ω to 2 Meg Ω

**Resistance Tolerance:** ±10%

**End Resistance:** 2Ω max

**Temperature Coefficient of Resistance:**

±100 ppm/°C. 100Ω to 2 Meg Ω

-100 to +200 ppm/°C. 10Ω, 20Ω, and 50Ω

**Power Rating:** 3/4 Watt @ 70°C derated to 0 Watts @ 125°C

**Dielectric Withstanding Voltage:**

1000V AC at sea level

250V AC at 80,000 feet (24,400 meters)

**Insulation Resistance:** 1000 Meg Ω min

**Contact Resistance Variation:** 1% or 1Ω, whichever is greater

### Mechanical

**Stop:** Wiper idles against stops

**Operating Torque:** 22.5mNm max

**Rotation Life:** 200 cycles min with max change of ±2% in total resistance

**Resistance Element:** Cermet

**Setability:** ±0.05% RT

### Environmental

**Operating Temperature:** -55°C to +125°C

**Electrical Endurance:** 1000 hour

**Mechanical Life:** 200 cycles