

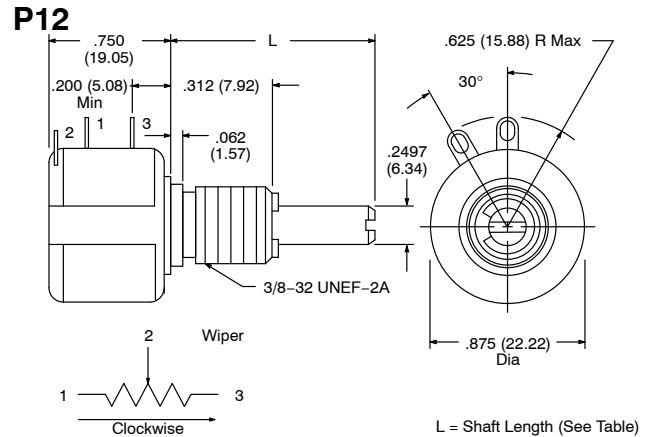
Features

- Permanickel contact
- Stainless steel 1/4" diameter shaft
- Gold plated terminals
- Internal tracking surfaces gold plated
- Precision winding with excellent linearity



Spectrol 535 Series

Potentiometer – 1.5 Watt, 7/8" round case, 1/4" dia. shaft, 5 turn, precision wirewound



Spectrol No.	NTE Part No.	Value (Ohms)	Shaft Length	Diag No.
535-1-1-101	502-0145	100	7/8"	P12
535-1-1-201	502-0146	200	7/8"	P12
535-1-1-501	502-0147	500	7/8"	P12
535-1-1-102	502-0148	1K	7/8"	P12
535-1-1-202	502-0149	2K	7/8"	P12
535-1-1-502	502-0150	5K	7/8"	P12
535-1-1-103	502-0151	10K	7/8"	P12
535-1-1-203	502-0152	20K	7/8"	P12
535-1-1-503	502-0153	50K	7/8"	P12

Resistance Element Data				
Resistance Value (Ohms)	Resolution (%)	Ohms per Turn	Max Current @ 70°C Ambient (mA)	Max Voltage Across Coil (Volts)
100	.075	.0746	122.00	12.2
200	.061	.1220	86.60	17.3
500	.049	.2459	54.70	27.4
1K	.041	.4113	38.70	38.7
2K	.031	.6331	27.40	54.8
5K	.034	1.7230	17.30	86.6
10K	.030	3.0160	12.20	122.0
20K	.020	3.9910	8.66	173.0
50K	.015	7.4560	5.47	274.0

Specifications

Electrical

Resistance Range: 50 Ω to 50K Ω

Resistance Tolerance: ±5%

Linearity (independent): ±0.25%

Noise: 100 Ω ENR

Rotation: 1800° +10°, -0°

Power Rating: 1.5 Watt @ 70°C derated to 0 Watts @ 125°C

Insulation Resistance: 1000 Meg Ω min, 500VDC

Dielectric Strength: 1000V RMS min 50Hz

Absolute Minimum Resistance: Not to exceed linearity x total resistance or 1Ω, whichever is greater

Temperature Coefficient of Resistance: 20ppm/°C (wire only)

End Voltage: 0.25% of total applied voltage, max

Mechanical

Bearing Type Bushing: Sleeve bearing

Resistance Element: See Table

Rotation: 1800° +10°, -0°

Starting Torque (maximum): 50 gm-cms (0.7 oz in)

Stop Strength (static): 5.4 Kgm-cm (75 oz in)

Rotation Life: 500,000 shaft revolutions

Environmental

Operating Temperature: -55°C to +125°C

Load Life: 900 hr.