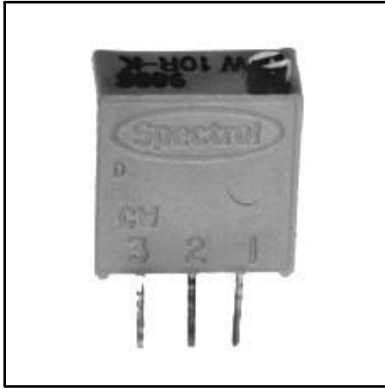


Features

- Multifinger precious metal wiper for long term set point stability
- Central pivot locating gear for improved stability
- Unique ratchet device integral with gear to ensure long term reliability
- Double chevron shaft for sealing plus constant torque and reliable adjustability
- IC style pins for easier board insertion

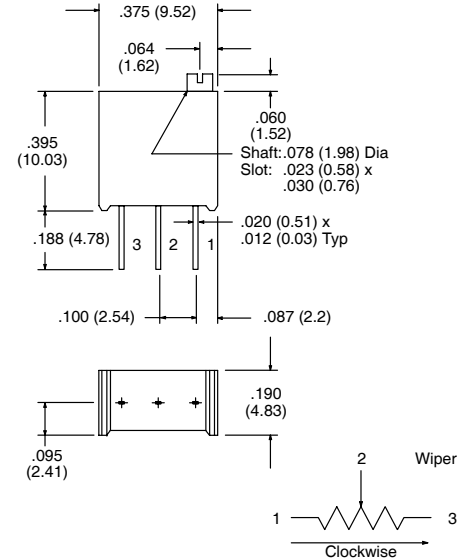


| Spectrol No. | NTE Part No. | Value (Ohms) | Adjust | Diag No. |
|--------------|--------------|--------------|--------|----------|
| 64W-100 | 500-0192 | 10 | Top | T6 |
| 64W-200 | 500-0193 | 20 | Top | T6 |
| 64W-500 | 500-0194 | 50 | Top | T6 |
| 64W-101 | 500-0195 | 100 | Top | T6 |
| 64W-201 | 500-0196 | 200 | Top | T6 |
| 64W-501 | 500-0197 | 500 | Top | T6 |
| 64W-102 | 500-0198 | 1K | Top | T6 |
| 64W-202 | 500-0199 | 2K | Top | T6 |
| 64W-502 | 500-0200 | 5K | Top | T6 |
| 64W-103 | 500-0201 | 10K | Top | T6 |
| 64W-203 | 500-0202 | 20K | Top | T6 |
| 64W-253 | 500-0203 | 25K | Top | T6 |
| 64W-503 | 500-0204 | 50K | Top | T6 |
| 64W-104 | 500-0205 | 100K | Top | T6 |
| 64W-204 | 500-0206 | 200K | Top | T6 |
| 64W-254 | 500-0207 | 250K | Top | T6 |
| 64W-504 | 500-0208 | 500K | Top | T6 |
| 64W-105 | 500-0209 | 1M | Top | T6 |
| 64W-205 | 500-0210 | 2M | Top | T6 |

Spectrol 64W Series

Trimmer – 3/8” square, multiturn cermet

T6



Specifications

Electrical

Effective Travel: 25 turns nom

Resistance Range: 10Ω to 2 Meg Ω

Resistance Tolerance: ±10%

End Resistance: Less than 2Ω

Temperature Coefficient of Resistance:

100 ppm/°C. 100Ω thru 2 Meg Ω

0 to +250 ppm/°C. below 100Ω

Power Rating: 1/2 Watt @ 70°C derated to 0 Watts @ 125°C

Dielectric Withstanding Voltage:

1000V AC at sea level

250V AC at 80,000 feet (24,400 meters)

Insulation Resistance: 1000 Meg Ω min

Contact Resistance Variation: 2% or 20Ω, whichever is greater

Mechanical

Stop: Contact idles at stop

Operating Torque: 3mNm nom

Resistance Element: Cermet

2-Terminal Adjustability: 0.05% of RT

3-Terminal Adjustability: 0.01% of applied voltage

Environmental

Operating Temperature: -55°C to +125°C

Electrical Endurance: 1000 hour

Mechanical Life: 200 cycles