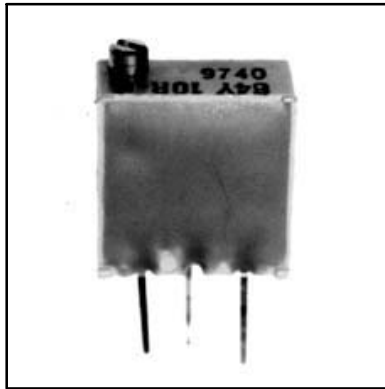


Features

- Multifinger precious metal wiper for long term set point stability
- Central pivot locating gear for improved stability
- Unique ratchet device integral with gear to ensure long term reliability
- Double chevron shaft for sealing plus constant torque and reliable adjustability
- IC style pins for easier board insertion

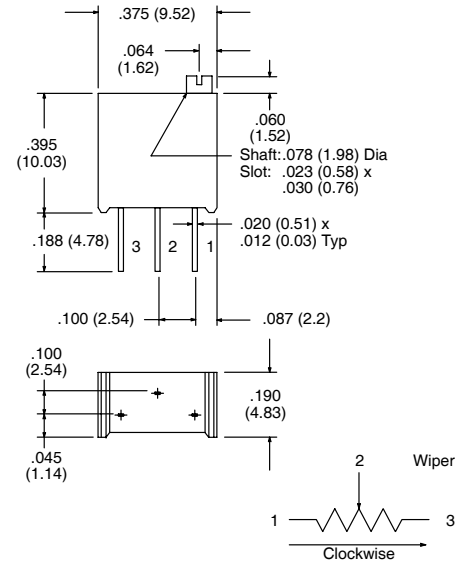


Spectrol No.	NTE Part No.	Value (Ohms)	Adjust	Diag No.
64Y-100	500-0240	10	Top	T8
64Y-200	500-0241	20	Top	T8
64Y-500	500-0242	50	Top	T8
64Y-101	500-0243	100	Top	T8
64Y-201	500-0244	200	Top	T8
64Y-501	500-0245	500	Top	T8
64Y-102	500-0246	1K	Top	T8
64Y-202	500-0247	2K	Top	T8
64Y-502	500-0248	5K	Top	T8
64Y-103	500-0249	10K	Top	T8
64Y-203	500-0250	20K	Top	T8
64Y-253	500-0251	25K	Top	T8
64Y-503	500-0252	50K	Top	T8
64Y-104	500-0253	100K	Top	T8
64Y-204	500-0254	200K	Top	T8
64Y-254	500-0255	250K	Top	T8
64Y-504	500-0256	500K	Top	T8
64Y-105	500-0257	1M	Top	T8
64Y-205	500-0258	2M	Top	T8

Spectrol 64Y Series

Trimmer – 3/8” square, multiturn cermet

T8



Specifications

Electrical

Effective Travel: 25 turns nom

Resistance Range: 10Ω to 2 Meg Ω

Resistance Tolerance: ±10%

End Resistance: Less than 2Ω

Temperature Coefficient of Resistance:

100 ppm/°C. 100Ω thru 2 Meg Ω

0 to +250 ppm/°C. below 100Ω

Power Rating: 1/2 Watt @ 70°C derated to 0 Watts @ 125°C

Dielectric Withstanding Voltage:

1000V AC at sea level

250V AC at 80,000 feet (24,400 meters)

Insulation Resistance: 1000 Meg Ω min

Contact Resistance Variation: 2% or 20Ω, whichever is greater

Mechanical

Stop: Contact idles at stop

Operating Torque: 3mNm nom

Resistance Element: Cermet

2-Terminal Adjustability: 0.05% of RT

3-Terminal Adjustability: 0.01% of applied voltage

Environmental

Operating Temperature: -55°C to +125°C

Electrical Endurance: 1000 hour

Mechanical Life: 200 cycles