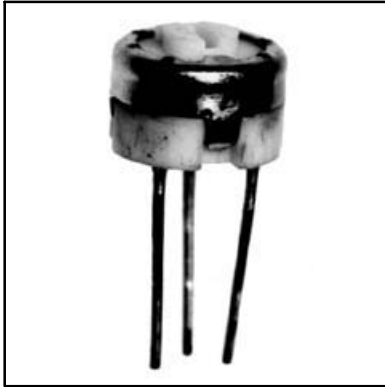


Features

- Multifinger wiper for better contact resistance
- "O" ring seal for solvent and aqueous washing
- Graduations for easier setting
- Rotor and body material flame retardant

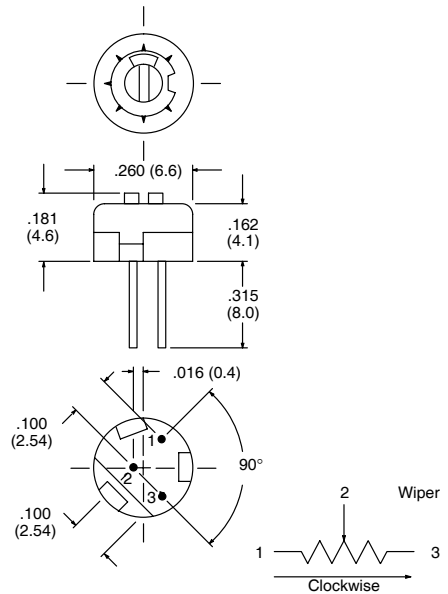


Spectrol No.	NTE Part No.	Value (Ohms)	Adjust	Diag No.
75H-100	500-0300	10	Top	T12
75H-200	500-0301	20	Top	T12
75H-500	500-0302	50	Top	T12
75H-101	500-0303	100	Top	T12
75H-201	500-0304	200	Top	T12
75H-501	500-0305	500	Top	T12
75H-102	500-0306	1K	Top	T12
75H-202	500-0307	2K	Top	T12
75H-502	500-0308	5K	Top	T12
75H-103	500-0309	10K	Top	T12
75H-203	500-0310	20K	Top	T12
75H-503	500-0311	50K	Top	T12
75H-104	500-0312	100K	Top	T12
75H-204	500-0313	200K	Top	T12
75H-504	500-0314	500K	Top	T12
75H-105	500-0315	1M	Top	T12
75H-205	500-0316	2M	Top	T12

Spectrol 75H Series

Trimmer – 1/4" round, single turn cermet

T12



Specifications

Electrical

- Effective Travel:** 240° nom
- Resistance Range:** 10Ω to 1 Meg Ω
- Resistance Tolerance:** ±10%
- End Resistance:** 2Ω max
- Temperature Coefficient of Resistance:** ±100 ppm/°C
- Power Rating:** 1/2 Watt @ 85°C derated to 0 Watts @ 150°C
- Dielectric Withstanding Voltage:** 600V AC at sea level
- Insulation Resistance:** 1000 Meg Ω min
- Contact Resistance Variation:** 3% or 3Ω, whichever is greater
- Maximum Wiper Current:** 100mA

Mechanical

- Stop:** Solid
- Travel:** 260° nom
- Operating Torque:** 200mNm max
- Resistance Element:** Cermet

Environmental

- Operating Temperature:** -55°C to +150°C
- Electrical Endurance:** 1000 hour
- Mechanical Life:** 200 cycles