

Features

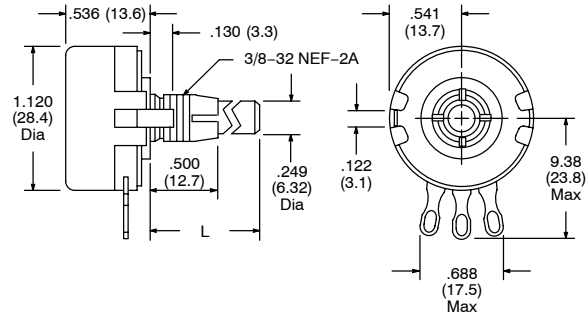
- Hot molded carbon element
- Gold plated terminals
- Stainless steel shaft and housing
- Meets or exceeds specifications of MIL-R-94 — QPL Listed



PEC KLU/RV4LAY Series

Potentiometer – 2 Watt, 1/4” dia. locking shaft

P3



L = Shaft Length (See Table)

PEC No.	NTE Part No.	Military No.	Value (Ohms)	Shaft Length	Diag No.
KLU5001S20	501-0060	RV4LAYS500A	50	5/8"	P3
KLU1011S20	501-0061	RV4LAYS101A	100	5/8"	P3
KLU2511S20	501-0062	RV4LAYS251A	250	5/8"	P3
KLU5011S20	501-0063	RV4LAYS501A	500	5/8"	P3
KLU1021S20	501-0064	RV4LAYS102A	1K	5/8"	P3
KLU2021S20	501-0065	RV4LAYS202A	2K	5/8"	P3
KLU2521S20	501-0066	RV4LAYS252A	2.5K	5/8"	P3
KLU5021S20	501-0067	RV4LAYS502A	5K	5/8"	P3
KLU1031S20	501-0068	RV4LAYS103A	10K	5/8"	P3
KLU2531S20	501-0069	RV4LAYS253A	25K	5/8"	P3
KLU5031S20	501-0070	RV4LAYS503A	50K	5/8"	P3
KLU1041S20	501-0071	RV4LAYS104A	100K	5/8"	P3
KLU2541S20	501-0072	RV4LAYS254A	250K	5/8"	P3
KLU5041S20	501-0073	RV4LAYS504A	500K	5/8"	P3
KLU1051S20	501-0074	RV4LAYS105A	1M	5/8"	P3
KLU5051S20	501-0075	RV4LAYS505A	5M	5/8"	P3

Specifications

Electrical

Resistance Range – Linear Taper: 50Ω to 5 Meg Ω

Resistance Tolerance: ±10%

Power Rating: 2 Watts @ 70°C derated to 0 Watts @ 120°C

Insulation Resistance: 10K Meg Ω (Dry)

100K Meg Ω (Wet)

Dielectric Strength: 900V RMS at sea level

Operating Voltage: 500V subject to power rating

Mechanical

Mechanical Rotation: 314°

Operating Torque: 1 oz/in to 6 oz/in

Rotation Life: 25,000 cycles

Environmental

Operating Temperature: -65°C to +125°C

Resistance to Soldering Heat: 350°C for 5 seconds

Load Life: 1000 hr. at 70°C