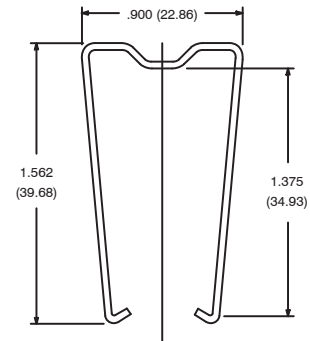


R95-001

Hold Down Clip

For use with the following sockets:

- R95-106A (includes clip)
- R95-107
- R95-110
- R95-111
- R95-117 (Clip not included)
- R95-120
- R95-121
- R95-122
- R95-148
- R95-149
- R95-150

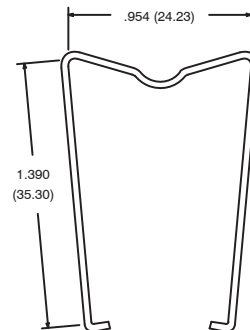


R95-003

Hold Down Clip

For use with the following sockets:

- R95-102
- R95-103



R95-004

Hold Down Clip

For use with the following sockets:

- R95-108
- R95-109

