

R95-182

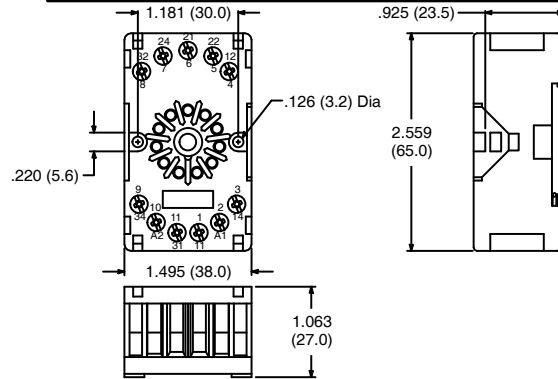
11-Pin Octal Socket

Features

- DIN Rail Mount
- Finger Safe
- 3PDT Applications

Electrical Rating:

300 Volts (UL Rating for US), 10 Amps



R95-184

Dust Cover, Plastic

Features

- Clear Polycarbonate
- For RS3 Type Relays

