

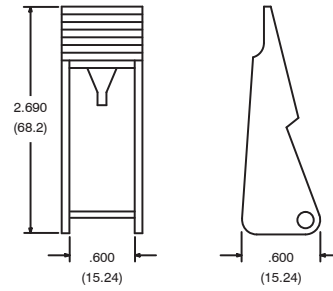
Accessories

RLY9012

For use with the following sockets:

- R95-130
- R95-131

Hold Down/Ejector



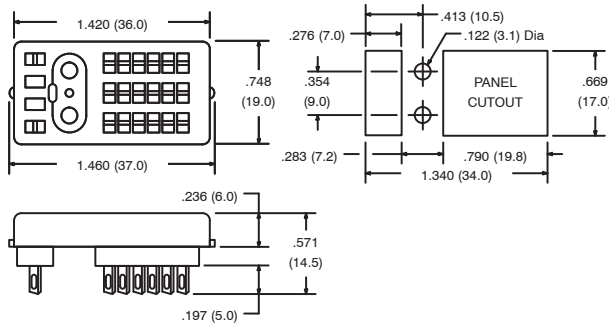
RLY9134

Features

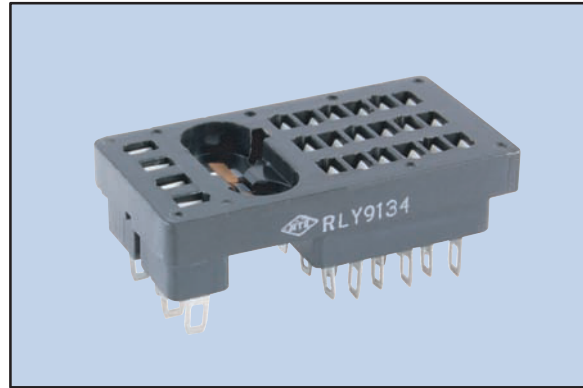
- Panel Board Mount
- Solder Terminals

Electrical Rating:

300 Volts, 10 Amps



22-Pin Blade Socket



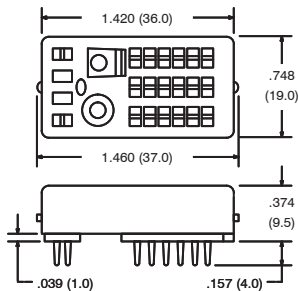
RLY9135

Features

- PC Board Mount
- Solder Terminals

Electrical Rating:

300 Volts, 10 Amps



22-Pin Blade Socket

