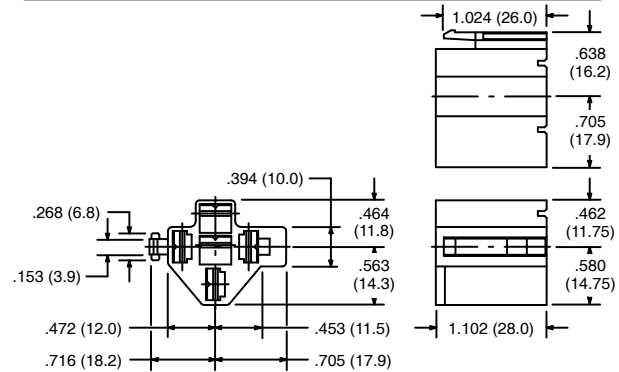
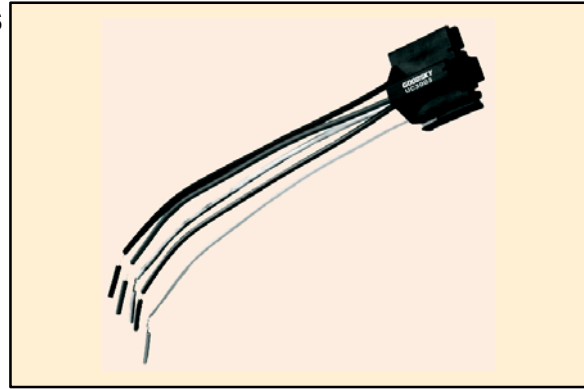


R95-188

5-Pin Automotive Socket w/Wire Leads

Features

- For R51 Series Relays(50 Amp ONLY)
- 6.5 Inch Wire Leads

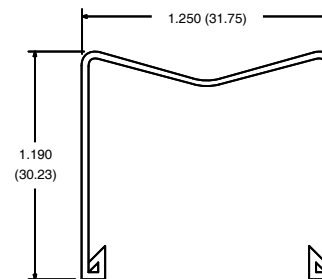


RLY9009

Hold Down Clip

For use with the following sockets:

- R95-132
- R95-133



RLY9010

Hold Down Spring

For use with the following sockets:

- R95-101
- R95-102
- R95-104
- R95-113
- R95-114
- R95-115
- R95-116
- R95-117
- R95-118
- R95-119
- R95-123
- R95-124
- R95-156
- R95-159

