

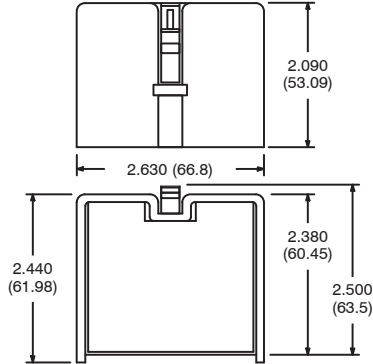
## RLY9166

### Features

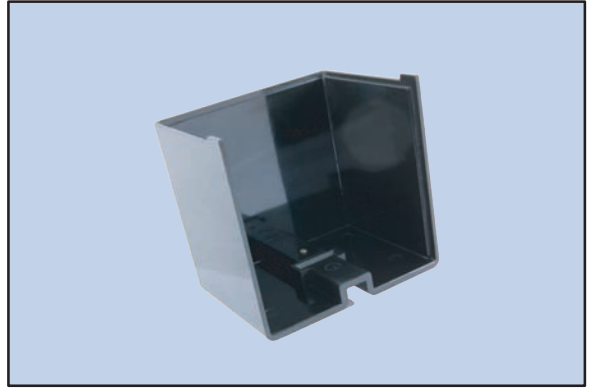
- Molded Plastic
- Attached Retaining Clip

### Relay Applications:

RLY16 Series  
RLY17 Series



## Dust Cover



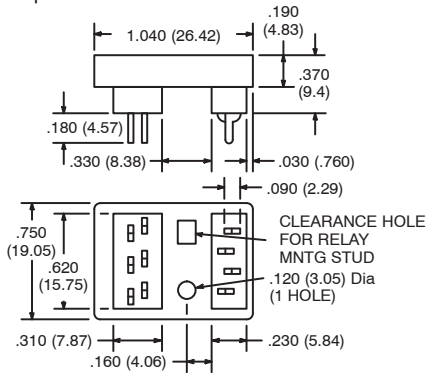
## RLY9170

### Features

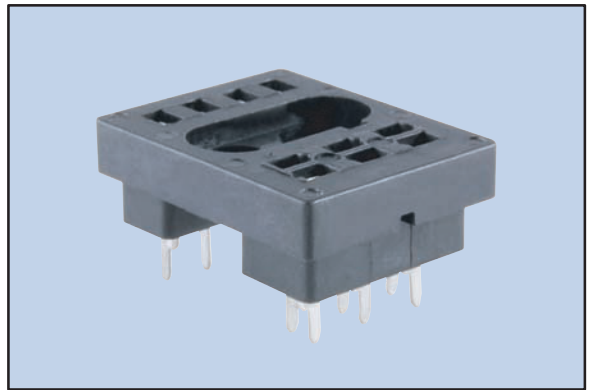
- PC Board Mount
- In-Line Solder Terminals

### Electrical Rating:

300 Volts, 10 Amps



## 10-Pin Blade Socket



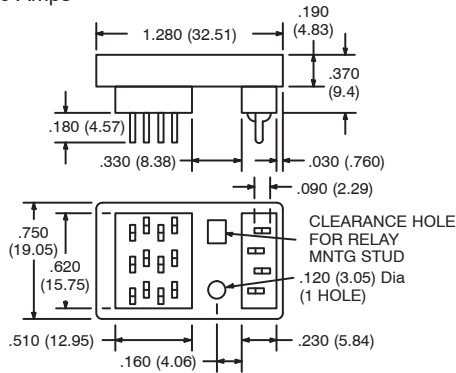
## RLY9171

### Features

- PC Board Mount
- In-Line Solder Terminals

### Electrical Rating:

300 Volts, 10 Amps



## 16-Pin Blade Socket

