

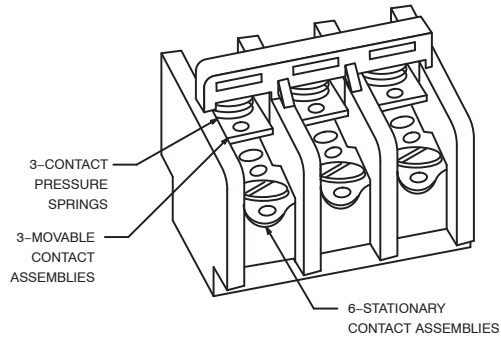
Accessories

RLY9203

Features:

- For RLY600 Series

Replacement Contacts for Contactors



RLY9204

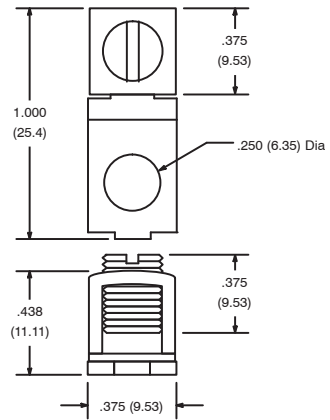
Features:

- For RLY400 Series

Electrical Rating:

Maximum Wire Size #14 AWG

Box Lug for Contactors

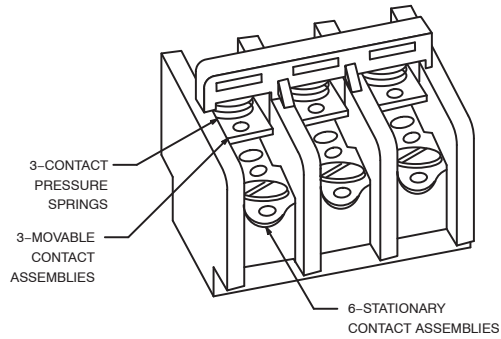


RLY9205

Features:

- For RLY400 Series

Replacement Contacts for Contactors



RLY9206

Features:

- For RLY400 Series

Electrical Rating:

Contacts SPDT
Maximum Current .. 10A @ 250 VAC

1 Auxiliary Switch for Contactor Applications

