

# RLY9173

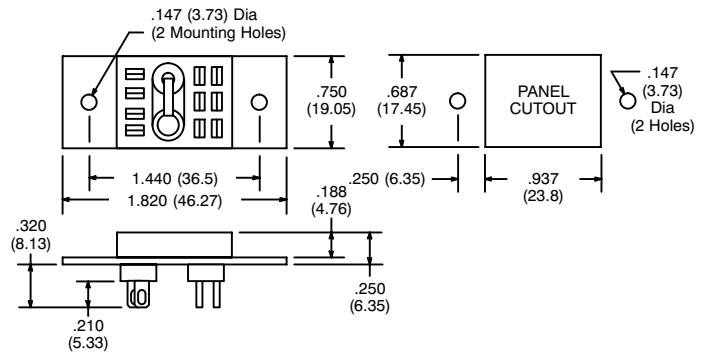
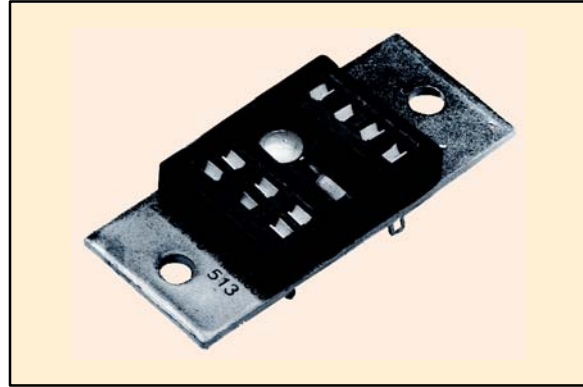
## 10-Pin Blade Socket

### Features

- Flange Mount
- Solder Terminals

### Electrical Rating:

300 Volts, 10 Amps



# RLY9174

## 16-Pin Blade Socket

### Features

- Flange Mount
- Solder Terminals

### Electrical Rating:

300 Volts, 10 Amps

