

# RLY9170

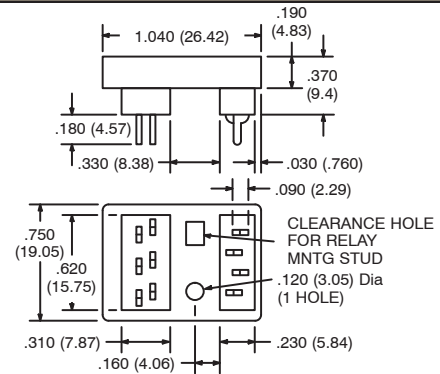
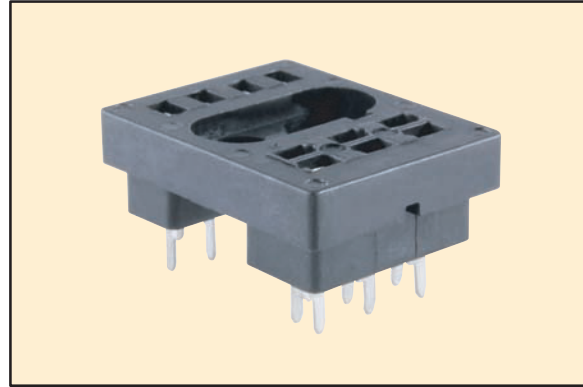
## 10-Pin Blade Socket

### Features

- PC Board Mount
- In-Line Solder Terminals

### Electrical Rating:

300 Volts, 10 Amps



# RLY9171

## 16-Pin Blade Socket

### Features

- PC Board Mount
- In-Line Solder Terminals

### Electrical Rating:

300 Volts, 10 Amps

