

RLY9204

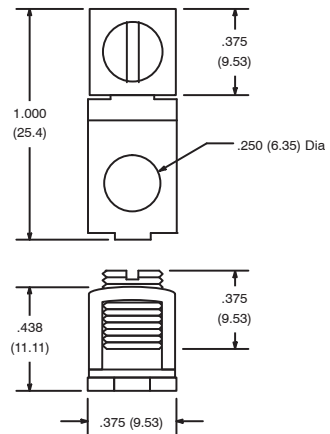
Box Lug for Contactors

Features:

- For RLY400 Series

Electrical Rating:

Maximum Wire Size #14 AWG

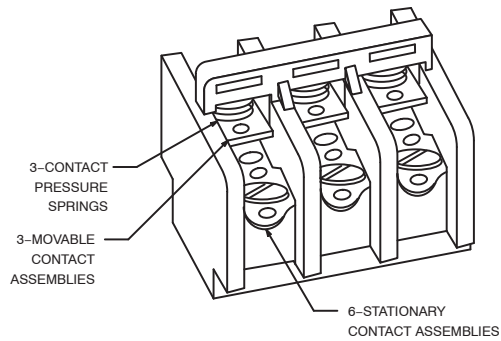


RLY9205

Replacement Contacts for Contactors

Features:

- For RLY400 Series



RLY9206

1 Auxiliary Switch for Contactor Applications

Features:

- For RLY400 Series

Electrical Rating:

Contacts SPDT
Maximum Current 10A @ 250 VAC

