

General Purpose Relays

R06 Series



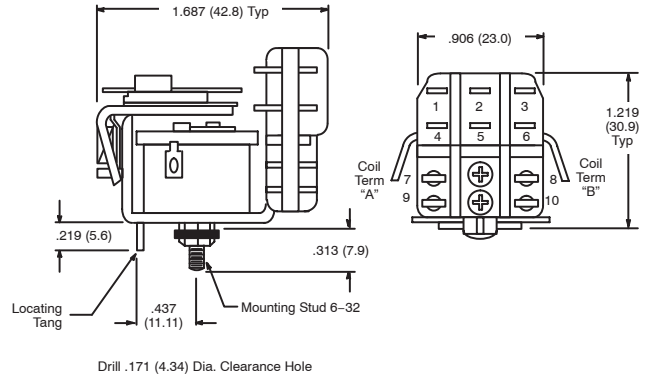
Features

- SPDT, DPDT & 3PDT Models
- Solder Terminals
- High Dielectric Strength
- Multi-Pole Switching

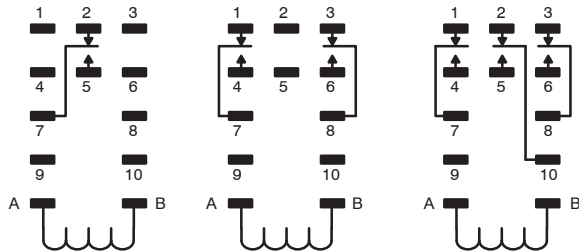


General Purpose, 10 Amp Multicontact AC and DC Open Frame Relays.

D6



A (SPDT), 1 Form "C" B (DPDT), 2 Form "C" C (3PDT), 3 Form "C"



Schematic Diagrams Viewed from Terminal End

Electrical Specifications

Contact

Contact Rating

Poles	120VAC	240VAC	28VDC
SPDT	12A (1/3 HP)	12A (1/2 HP)	10A
DPDT	12A (1/3 HP)	8A (1/2 HP)	10A
3PDT	10A (1/3 HP)	6A (1/2 HP)	10A

Contact Material: 3/16" Silver cadmium oxide
Contact Resistance: 0.050 ohms max initial

Coil

Coil Voltages: See Chart
Pick-up Voltage: 80% of nominal or less, AC or DC
Resistance: See chart
Min Sensitivity: 125mW per value
Duty Cycle: Continuous

Operational Characteristics

Timing Values Operate Time: 25 mS or less } at nominal
 Release Time: 20 mS or less } coil voltage

Insulation Characteristics

Dielectric Strength

Contact To Coil: 1500 VRMS
Across Open Contacts: 1000 VRMS
Pole to Pole: 1500 VRMS
Contacts To Frame: 1500 VRMS
Insulation Material: Molded polyester
Insulation Resistance: 1 x 10³ megohms

Environmental Characteristics

Operating: -10°C to +50°C (AC), -10°C to +60°C (DC)
Non-operating (storage): -30°C to +105°C

Weight

Std: 2 1/2 ozs (70.9 grams)—approx

AC OPERATED						
NTE Type No.	Nom. Voltage	Contact Arr.	Coil Res. Ohms (Typ)	Nom. Power	Max. Contact Cur. @ 28VDC or 120VAC	Diag No.
R06-5A10-24	24VAC	SPDT	—	2.0VA	10A	D6A
R06-5A10-120	120VAC	SPDT	—	2.0VA	10A	D6A
R06-11A10-120	120VAC	DPDT	—	2.0VA	10A	D6B
R06-14A10-24	24VAC	3PDT	—	2.75VA	10A	D6C
R06-14A10-120	120VAC	3PDT	—	2.75VA	10A	D6C
DC OPERATED						
R06-11D10-6	6VDC	DPDT	32	1.0W	10A	D6B
R06-11D10-12	12VDC	DPDT	120	1.0W	10A	D6B
R06-11D10-24	24VDC	DPDT	470	1.0W	10A	D6B
R06-11D10-48	48VDC	DPDT	1800	1.0W	10A	D6B
R06-14D10-12	12VDC	3PDT	120	1.0W	10A	D6C
R06-14D10-24	24VDC	3PDT	470	1.0W	10A	D6C
R06-14D10-110	110VDC	3PDT	10K	1.0W	10A	D6C