

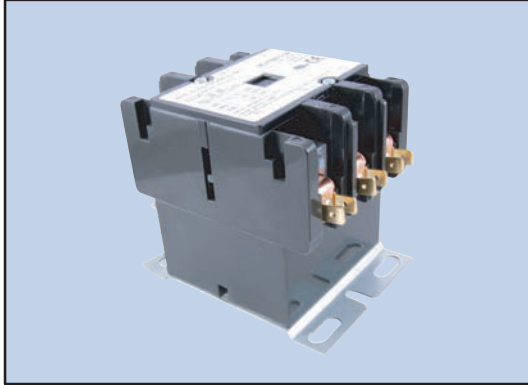
Contactor

RLY550 Series



Features

- #14-4 Compression Lugs with .250" (6.35mm) QC Terminals
- Silver Cadmium Oxide Contacts
- UL 508 File No. E227250
Class NLDX2, NLDX8



AC OPERATED

NTE Type No.	Coils		Contacts		Diag No.
	Input Voltage	Nom. Sealed	Contact Arr.	Max. Contact Cur. @ 600VAC	
RLY550-3-24	24 VAC	13 VA	3PST-NO	50A	D92
RLY550-3-120	120 VAC	13 VA	3PST-NO	50A	D92
RLY550-3-240	240 VAC	13 VA	3PST-NO	50A	D92

Number of Poles	Motor Rating in Amps				
	Full Load	Resistive	Locked Rotor		
		@ 600VAC	@ 240VAC	@ 480VAC	@ 600VAC
3	50A	65A	300A	250A	200A

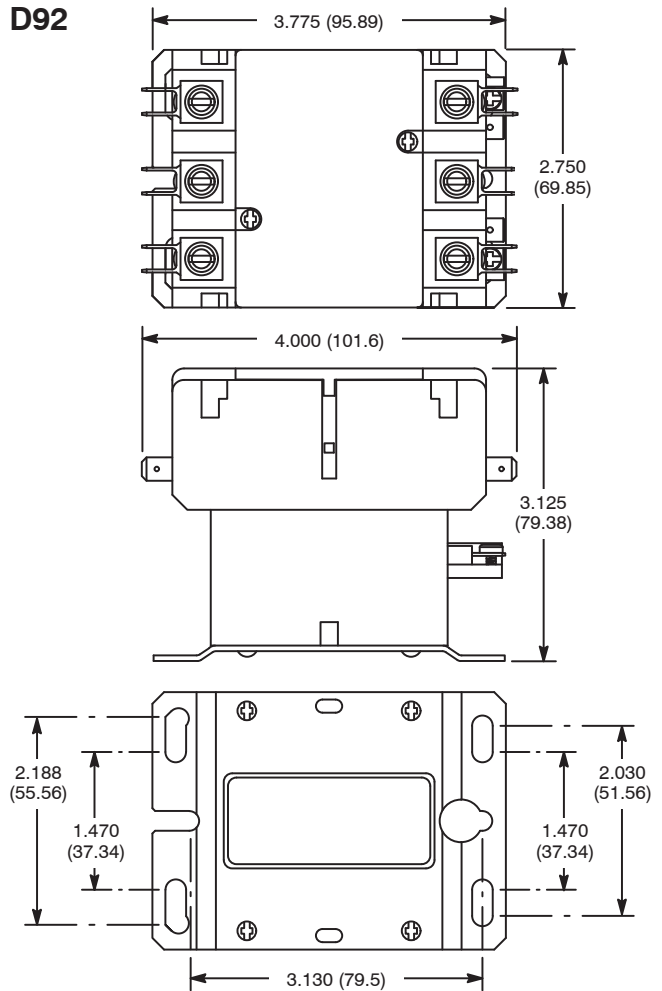
Motor Horsepower Ratings				
Motor Type	@ 120VAC	@ 240VAC	@ 480VAC	@ 600VAC
1Ø3P	3 HP	7.5 HP	-	-
3Ø3P	-	15 HP	25 HP	25 HP

ACCESSORIES

DESCRIPTION	NTE TYPE NO.
Auxiliary Switch, 1 SPDT Snap Action Switch w/.250" QC Terminals	RLY9190
Auxiliary Switch, 2 SPDT Snap Action Switches w/.250" QC Terminals	RLY9191
Auxiliary Switch, 1 SPST-NO & 1 SPST-NC Switch w/.250" QC Terminals	RLY9192
Auxiliary Switch, 1 SPST-NO & 1 SPST-NC Switch w/6-32 Screw Terminals	RLY9193

Definite Purpose, 50 FLA, 3 Pole NO

D92



Electrical Specifications

Initial Dielectric Strength

- Between Contact and Coil: 2200 VAC
- Between Poles: 2200 VAC (includes shunt)
- Between Open Contacts: 2200 VAC (no shunt)

Insulation System: 130°C Class B

Power Pole Terminations: Aluminum Box Lug

Wire Size: 14-2

Recommended Tightening Torque: 50 in. lbs.

Quick Connects

- Coil Terminals: Dual: .250" QC or #6-32 Screw/.250" QC
- Power Terminals: Dual .250" QC

Coil

- Nom Coil Resistance: 2.4Ω (24V); 45Ω (120V); 180Ω (240V)
- Max. Pick-up Voltage: 75% of nominal or less, DC
- Min Drop-out Voltage: 6-15V (24V); 20-70V (120V); 40-140V (240V)
- Nom Inrush (60Hz): 130 VA
- Max Coil Voltage: 30V (24V); 132V (120V); 264V (240V)

Environmental Characteristics

Operating: -40°C to +65°C

Weight

Std: 2 lbs (907.18 grams)—typical

Note It is not recommended to mount or operate contactors upside-down.