

Contactor

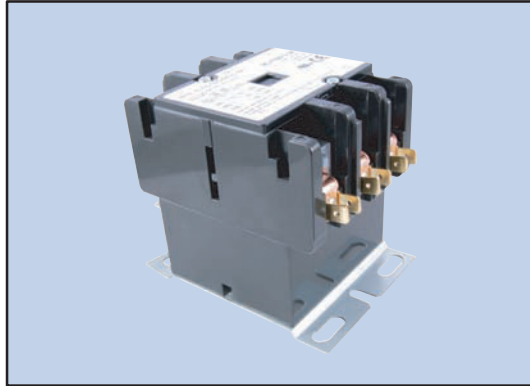
RLY560 Series



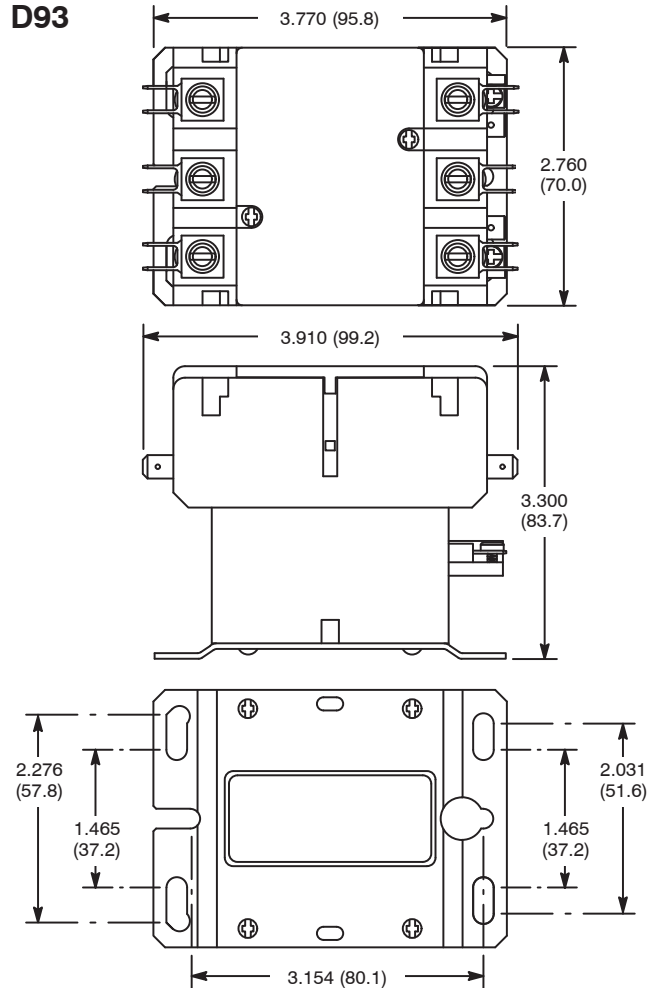
Contactors, Definite Purpose, 60 FLA, 3 Pole NO

Features

- #14–2 Compression Lugs with .250" (6.35mm) QC Terminals
- Silver Cadmium Oxide Contacts
- UL 508 File No. E227250
Class NLDX2, NLDX8



D93



AC OPERATED

NTE Type No.	Coils		Contacts		Diag No.
	Input Voltage	Nom. Sealed	Contact Arr.	Max. Contact Cur. @ 600VAC	
RLY560-3-480	480 VAC	13 VA	3PST-NO	60A	D93

Number of Poles	Motor Rating in Amps				
	Full Load	Resistive	Locked Rotor		
		@ 600VAC	@ 240VAC	@ 480VAC	@ 600VAC
3	60A	75A	360A	300A	240A

Motor Type	Motor Horsepower Ratings			
	@ 120VAC	@ 240VAC	@ 480VAC	@ 600VAC
1Ø3P	5 HP	7.5 HP	-	-
3Ø3P	-	25 HP	30 HP	30 HP

ACCESSORIES

DESCRIPTION	NTE TYPE NO.
Auxiliary Switch, 1 SPDT Snap Action Switch w/.250" QC Terminals	RLY9190
Auxiliary Switch, 2 SPDT Snap Action Switches w/.250" QC Terminals	RLY9191
Auxiliary Switch, 1 SPST-NO & 1 SPST-NC Switch w/.250" QC Terminals	RLY9192
Auxiliary Switch, 1 SPST-NO & 1 SPST-NC Switch w/6-32 Screw Terminals	RLY9193

Electrical Specifications

Initial Dielectric Strength

- Between Contact and Coil: 2200 VAC
- Between Poles: 2200 VAC
- Between Open Contacts: 2200 VAC

Insulation System: 130°C Class B

Power Pole Terminations: Aluminum Box Lug

Wire Size: 14–2

Recommended Tightening Torque: 50 in. lbs.

Quick Connects

- Coil Terminals: Dual: .250" QC or #6–32 Screw/.250" QC
- Power Terminals: Dual .250" QC

Coil

- Nom Coil Resistance: 3.8Ω (24V); 125Ω (120V); 464Ω (240V)
- Max. Pick-up Voltage: 75% of nominal or less, DC
- Min Drop-out Voltage: 10% to 60% of operate voltage
- Nom Inrush (60Hz): 130 VA
- Max Coil Voltage: 30V (24V); 132V (120V); 264V (240V)

Environmental Characteristics

Operating: –40°C to +65°C

Weight

Std: 22.4 oz. (635 grams)—typical

Note It is not recommended to mount or operate contactors upside-down.