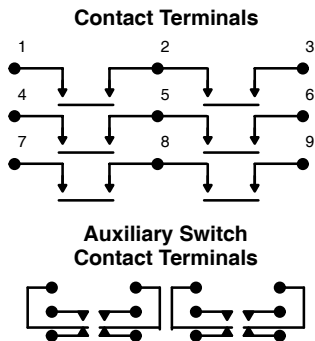
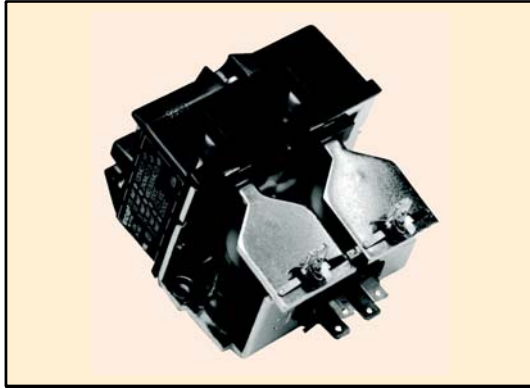


Features

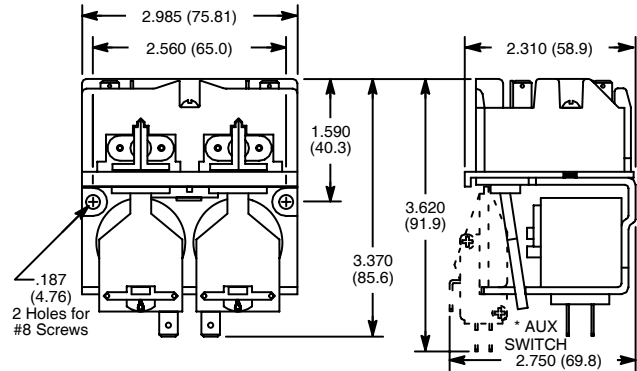
- .250" (6.35mm) Quick Connect Terminals
- Encapsulated Coils
- Mechanical Interlock, Center Off when Both Coils are Not Energized
- 2 or 4 Optional Auxiliary Switches



RLY700 Series

2-Coil, Compact Motor Reversing Contactors, 15 Amp, 6 Pole-DM (3 Per Coil)

D75



* Auxiliary switch not included.

Electrical Specifications

Contact

Rating: 15 Amp @ 120 VAC/1 HP
 10 Amp @ 240 VAC/1.5 HP
 5 Amp @ 480/600 VAC/3 HP
 15 Amp @ 30 VDC
 5 Amp @ 125 VDC
 1 Amp @ 250 VDC

Material: Silver-cadmium oxide

Coil

Coil Voltages: See Chart

Pull-In Voltage: 85% of nominal or less for AC
 80% of nominal or less for DC

Dropout Voltage: 10% of nominal voltage or more @ 25°C

Max. Allowed Voltage: 110% of nominal voltage

Resistance: ±10% measured @ +25°C

Operational Characteristics

Timing Value Operate Time: 50 ms or less } at nominal
Release Time: 30 ms or less } coil voltage

Insulation Characteristics

Dielectric Strength

All Insulated Points: 2500V RMS

Insulated Resistance: 500 VDC Exceeds 1000 MΩ

Environmental Characteristics

Operating: -45°C to +50°C (AC)
 -45°C to +70°C (DC)

Life

Mechanical: 5,000,000 Operations

Electrical: 100,000 Operations @ Rated Load
 500,000 Operations @ 1/2 Rated Load

DC OPERATED				
NTE Type No.	Coils			Diag No.
	Input Voltage V	Nom. Power	Resistance ±10% Ohms	
RLY715	24 DC	4.6 W	125	D75
AC OPERATED				
RLY725	24 AC	16.7 VA	4.63	D75
RLY755	120 AC	16.8 VA	125	D75

ACCESSORIES	
DESCRIPTION	NTE TYPE NO.
Auxiliary Switch, SPDT, .250" Quick Connect Terminals, 2-Switch	RLY9183
Auxiliary Switch, SPDT, .250" Quick Connect Terminals, 4-Switch	RLY9184