

1 2 3 4 5 6 7 8

F

F

E

E

D

D

C

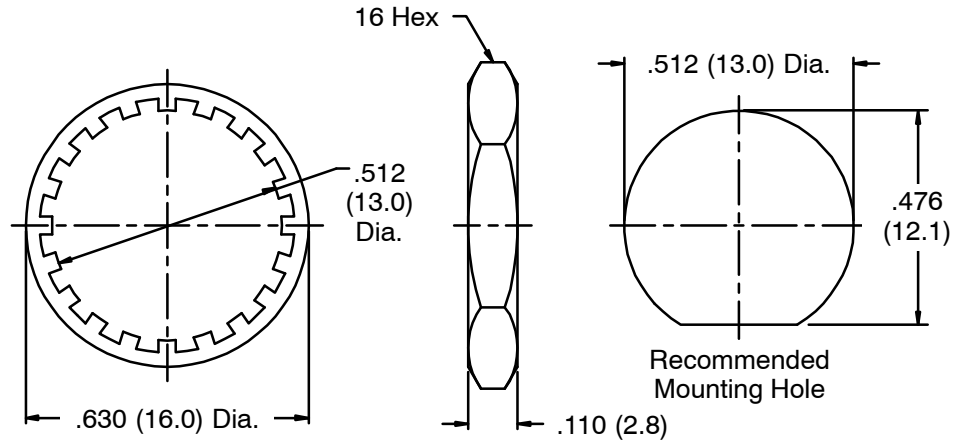
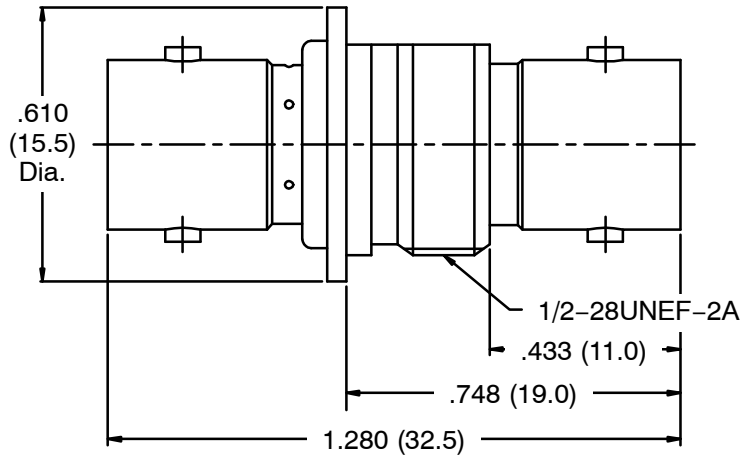
C

B

B

A

A



- NOTES: Finish (Plating Thickness in Micro-inches)
1. Brass
 2. Nickel Pl. 100 Min. Thick over Copper Pl. 50 Min. Thick
 3. Phosphor Bronze
 4. Gold Pl. 3 Min Thick over Nickel Pl. 50 Min. Thick over Copper Pl. 50 Min. Thick
 5. DELRIN

RoHS Compliant

8	Hex-Nut	Note 1	Note 2	1	Dimensions are in Inches Unless Otherwise Specified Tolerances 0.5-6 = ±0.2 6-30 = ±0.4 30-120 = ±0.6 120-315 = ±1 315-1000 = ±1.6 1000-2000 = ±2.4	Part No.	<h1 style="text-align: center;">NTE Electronics</h1>		
7	Lock Washer	Note 1	Note 2	1		Approved		Date	Title BNC Jack to Jack Bulkhead Isolated Adaptor
6	Housing	Note 1	Note 2	1		Checked		Date	
5	Body	Note 1	Note 2	1		Drawn		Date	Drawing No. 06-B008
4	Insulator	Note 5	Natural	1				1-23-2013	
3	Contact Pin	Note 3	Note 4	1				1-23-2013	File No.
2	Insulator	Note 5	Natural	2				1-23-2013	
1	Body	Note 1	Note 2	1				1-23-2013	
No	Description	Material	Finish	Q'ty	Drawing No.	Scale	2.5/1	Issue	A

1 2 3 4 5 6 7 8