

1 2 3 4 5 6 7 8

F

F

E

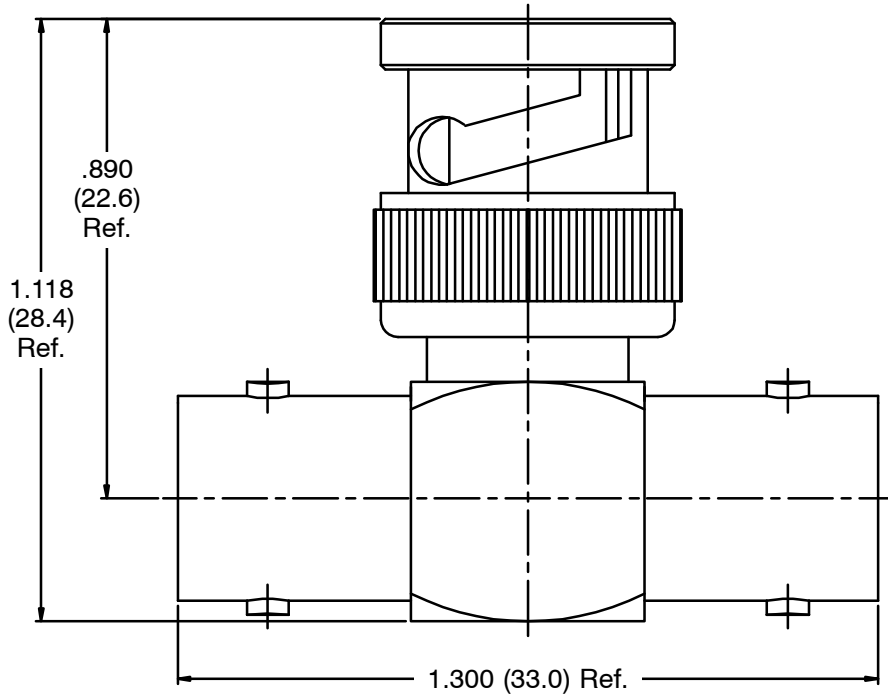
E

D

D

C

C



NOTES: Finish (Plating Thickness in Micro-inches)  
 1. Brass  
 2. Nickel Pl. 100 Min. Thick over Copper Pl. 50 Min. Thick  
 3. Phosphor Bronze  
 4. Gold Pl. 3 Min Thick over Nickel Pl. 50 Min. Thick over Copper Pl. 50 Min. Thick

B

B

A

A

12	Sleeve	DELRIN	Natural	1	
11	Washer	Note 1	Note 2	1	
10	Spring	SK5	Note 2	1	
9	Retainer Ring	Note 1	Note 2	1	
8	Gasket	Rubber	Red	1	
7	Contact Pin	Note 1	Note 4	1	
6	Insulator	DELRIN	Natural	1	
5	Contact Pin	Note 3	Note 4	1	
4	Insulator	DELRIN	Natural	1	
3	Body	Note 1	Note 2	1	
2	Housing	Note 1	Note 2	1	
1	Shell	Note 1	Note 2	1	

RoHS Compliant

Dimensions are in Inches			Part No.	<b>NTE Electronics</b>					
Unless Otherwise Specified Tolerances									
0.5-6 = ±0.2	Approved	Date	11-3-2010	Title					
6-30 = ±0.4	Checked	Date	11-3-2010	BNC "T" Adaptor Jack-Plug-Jack					
30-120 = ±0.6	Drawn	Date	11-3-2010	Drawing No. 06-B011					
120-315 = ±1				File No.					
315-1000 = ±1.6									
1000-2000 = ±2.4									
No.	Description	Material	Finish	Q'ty	Drawing No.	Scale	3/1	Issue	A1

1 2 3 4 5 6 7 8