

1 2 3 4 5 6 7 8

F

F

E

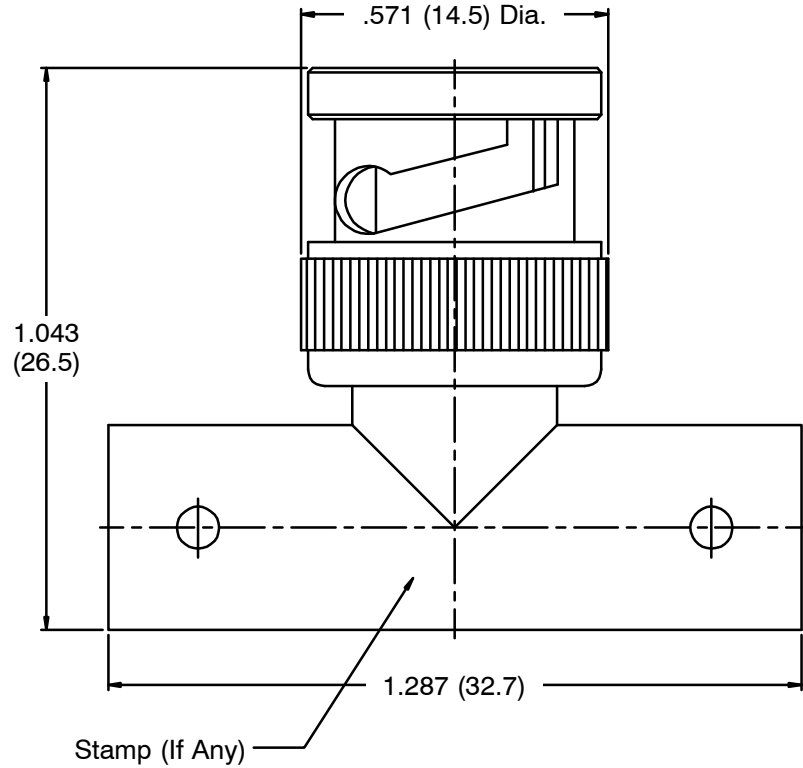
E

D

D

C

C



NOTES: Finish (Plating Thickness in Micro-inches)
 1. Brass
 2. Nickel Pl. 100 Min. Thick over Copper Pl. 50 Min. Thick
 3. Gold Pl. 3 Min Thick over Nickel Pl. 50 Min. Thick over Copper Pl. 50 Min. Thick
 4. DELRIN
 5. Zinc Diecast

B

B

A

A

11	Gasket	Rubber	Red	1	
10	Lock Ring	Iron	Note 2	1	
9	Spring	SK5	Note 2	1	
8	Washer	Iron	Note 2	1	
7	Insulator	Note 4	Natural	1	
6	Contact Pin	Note 1	Note 3	1	
5	Washer	Note 1	Note 2	1	
4	Insulator	Note 4	Natural	1	
3	Contact Pin	Note 1	Note 3	1	
2	Body	Note 5	Note 2	1	
1	Shell	Note 1	Note 2	1	
No.	Description	Material	Finish	Q'ty	Drawing No.

Dimensions are in Inches
 Unless Otherwise Specified
 Tolerances
 0.5-6 = ±0.2
 6-30 = ±0.4
 30-120 = ±0.6
 120-315 = ±1
 315-1000 = ±1.6
 1000-2000 = ±2.4

Part No.									
Approved	Date 12-18-2018								
Checked	Date 12-18-2018								
Drawn	Date 12-18-2018								
No.	Description	Material	Finish	Q'ty	Drawing No.	Scale	3/1	Issue	A

RoHS Compliant

NTE Electronics

Title BNC "T" Adaptor Jack-Plug-Jack	
Drawing No.	06-B024
File No.	

1 2 3 4 5 6 7 8