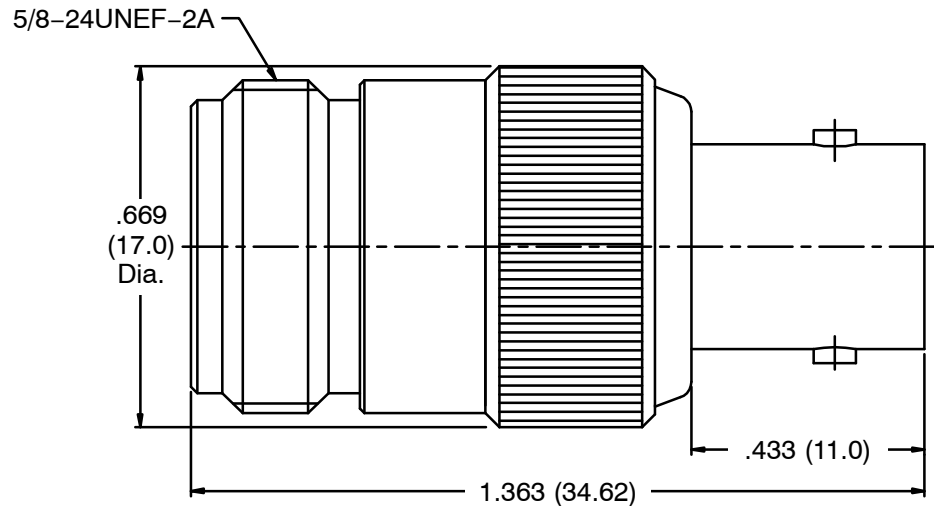


1 2 3 4 5 6 7 8

F
E
D
C
B
A

F
E
D
C
B
A



NOTES: Finish (Plating Thickness in Micro-inches)
 1. Brass
 2. Nickel Pl. 100 Min Thick over Copper Pl. 50 Min. Thick
 3. Phosphor Bronze
 4. Gold Pl. 3 Min Thick over Nickel Pl. 50 Min. Thick over Copper Pl. 50 Min. Thick
 5. TEFLON

RoHS Compliant

Dimensions are in Inches				Part No.	
Unless Otherwise Specified Tolerances				Approved	
0.5-6 = ±0.2				Date	
6-30 = ±0.4				12-20-2018	
30-120 = ±0.6				Checked	
120-315 = ±1				Date	
315-1000 = ±1.6				12-20-2018	
1000-2000 = ±2.4				Drawn	
				Date	
				12-20-2018	

NTE Electronics		Title	
		N Jack to BNC Jack Adaptor	
Drawing No.		06-N012	
File No.			

4	Body	Note 1	Note 2	1	
3	Contact Pin	Note 3	Note 4	1	
2	Insulator	Note 5	Natural	1	
1	Body	Note 1	Note 2	1	
No.	Description	Material	Finish	Q'ty	Drawing No.

1 2 3 4 5 6 7 8