

1 2 3 4 5 6 7 8

F

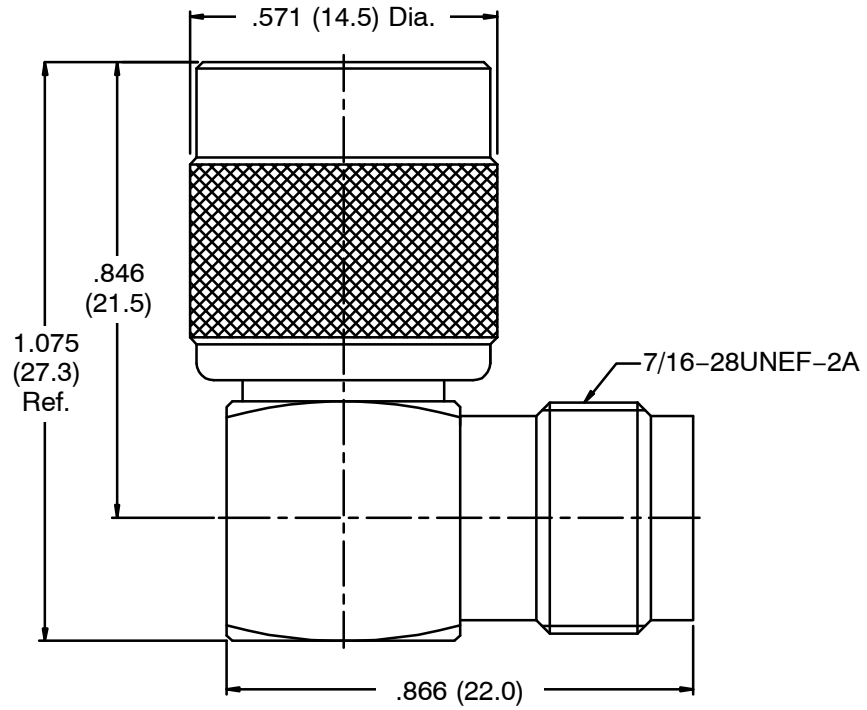
E

D

C

B

A



NOTES: Finish (Plating Thickness in Micro-inches)
 1. Brass
 2. Nickel Pl. 100 Min. Thick over Copper Pl. 50 Min. Thick
 3. Phosphor Bronze
 4. Gold Pl. 3 Min Thick over Nickel Pl. 50 Min. Thick over Copper Pl. 50 Min. Thick
 5. DELRIN

| | | | | |
|----|---------------|----------|---------|------|
| 13 | Cover | Note 1 | Note 2 | 1 |
| 12 | Contact Pin | Note 1 | Note 4 | 1 |
| 11 | Washer | Note 1 | Note 2 | 1 |
| 10 | Ring | Note 5 | Natural | 1 |
| 9 | Retainer Ring | Note 1 | Note 2 | 1 |
| 8 | Gasket | Rubber | Red | 1 |
| 7 | Insulator | Note 5 | Natural | 1 |
| 6 | Lock Ring | Iron | Note 2 | 1 |
| 5 | Contact Pin | Note 3 | Note 4 | 1 |
| 4 | Insulator | Note 5 | Natural | 1 |
| 3 | Body | Note 1 | Note 2 | 1 |
| 2 | Housing | Note 1 | Note 2 | 1 |
| 1 | Shell | Note 1 | Note 2 | 1 |
| No | Description | Material | Finish | Q'ty |

Dimensions are in Inches
 Unless Otherwise Specified
 Tolerances
 0.5-6 = ±0.2
 6-30 = ±0.4
 30-120 = ±0.6
 120-315 = ±1
 315-1000 = ±1.6
 1000-2000 = ±2.4

| | |
|----------|--------------------|
| Part No. | |
| Approved | Date 12-21-2018 |
| Checked | Date 12-21-2018 |
| Drawn | Date 12-21-2018 |

| | |
|---------------------------------------|--|
| NTE Electronics | |
| Title TNC Plug to Jack R/A Adaptor | |
| Drawing No. 06-T005 | |
| File No. | |

RoHS Compliant

1 2 3 4 5 6 7 8