



ELECTRONICS, INC.
 44 FARRAND STREET
 BLOOMFIELD, NJ 07003
 (973) 748-5089
<http://www.nteinc.com>



NTE3074 LED Display 2-Digit .560 Inch RHDP

Description:

The NTE3074 is a 0.56 inch (14.2mm) height dual digit common anode display with a right-hand decimal point designation designed for viewing distances of up to 22 feet (7 meters). This device is suitable for use in industrial controls, consumer products and instrument panels.

Features:

- Raw Material: GaAlAs
- Emitted Color: Super Red

Absolute Maximum Ratings: ($T_A = +25^{\circ}\text{C}$ unless otherwise specified)

Reverse Voltage, Per Segment, V_R	5V
Power Dissipation, P_D	100mW
Forward Current, I_F	
Continuous	50mA
Peak	100mA
Operating Temperature Range, T_{opr}	-40° to $+85^{\circ}\text{C}$
Storage Temperature Range, T_{stg}	-40° to $+100^{\circ}\text{C}$
Lead Temperature (During Soldering, 1/16" (1.6mm) from Body, 5 sec Max., Note 1), T_L ..	$+260^{\circ}\text{C}$

Note 1. Clean only with pure water, isopropanol, ethanol, Freon TF (or equivalent).

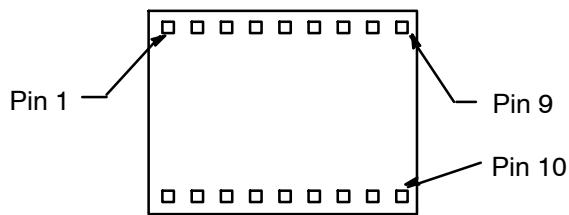
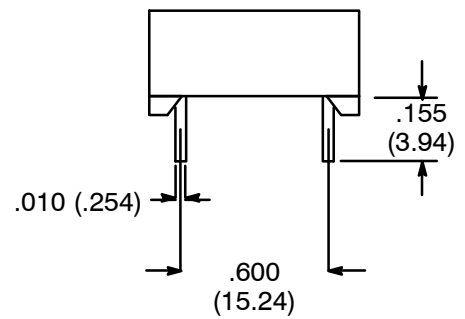
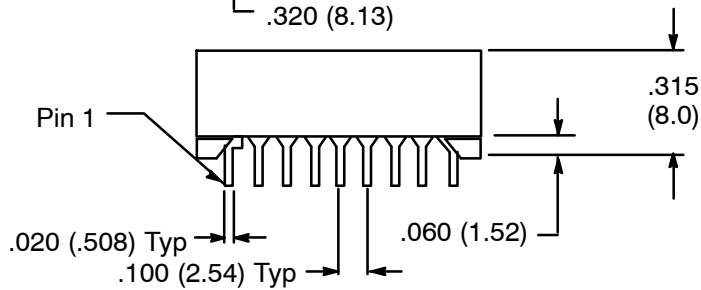
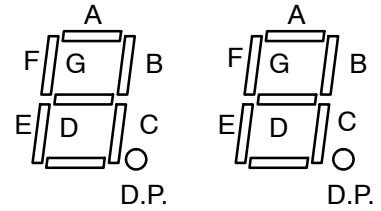
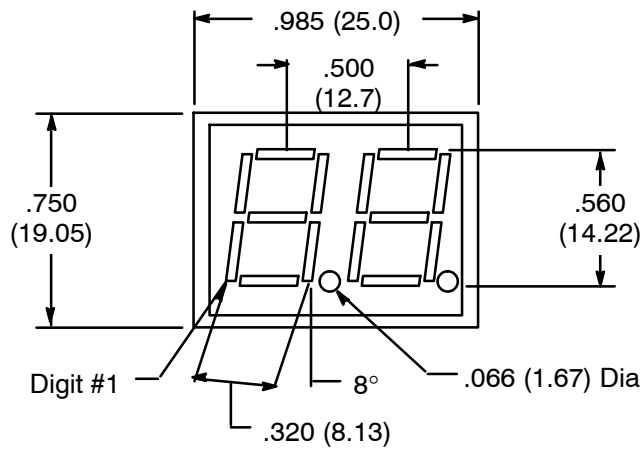
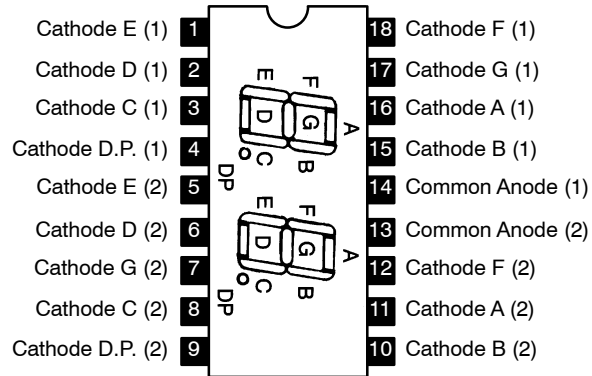
Electrical-Optical Characteristics: ($T_A = +25^{\circ}\text{C}$ unless otherwise specified)

Parameter	Test Conditions	Min	Typ	Max	Unit
Luminous Intensity	$I_F = 20\text{mA}$, Note 2, Note 3	5600	21000	-	μcd
Peak Emission Wavelength	$I_F = 20\text{mA}$	-	660	-	nm
Spectral Line Half Width	$I_F = 20\text{mA}$	-	20	-	nm
Forward Voltage (Per Segment)	$I_F = 20\text{mA}$	1.5	1.9	2.6	V
Reverse Current	$V_R = 5\text{V}$	-	-	100	μA

Note 2. The average luminous intensity is obtained by summing the luminous intensity of each segment and dividing by the total number of segments.

Note 3. Luminous intensity is measured with a light sensor and filter combination that approximates the CIE (International Commission on Illumination) eye-response curve.

Pin Connection Diagram



Bottom View