



ELECTRONICS, INC.
 44 FARRAND STREET
 BLOOMFIELD, NJ 07003
 (973) 748-5089
<http://www.nteinc.com>



NTE30109 LED – Dual Color 3mm Yellow/Yellow Green

Features:

- RoHS Compliant
- White Diffused

Absolute Maximum Ratings: ($T_A = +25^\circ\text{C}$ unless otherwise specified)

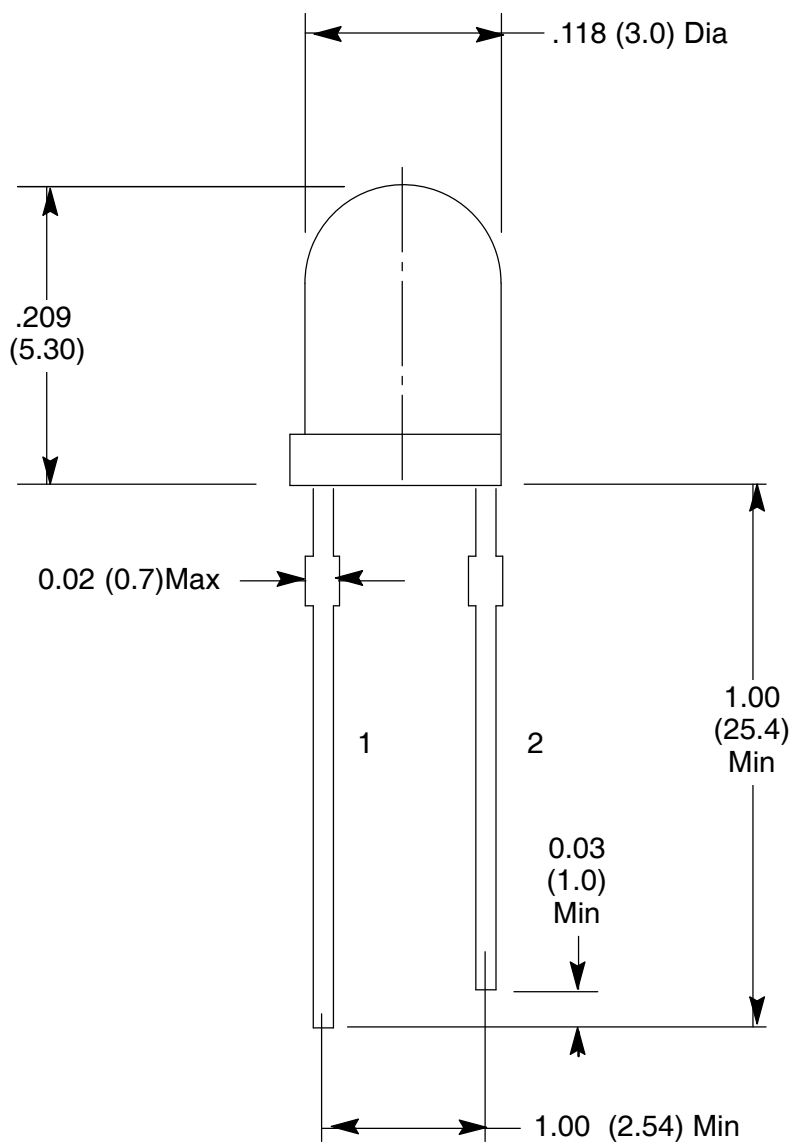
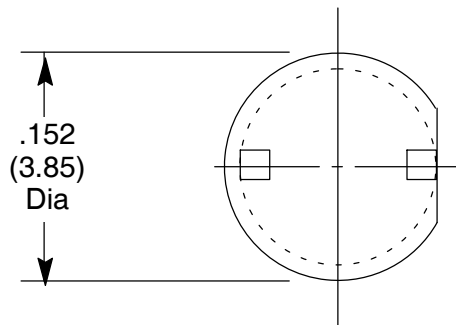
| | |
|--|-----------------|
| Power Dissipation, P_d | |
| Yellow | 90mW |
| Yellow Green | 84mW |
| Continuous Forward Current, I_F | 25mA |
| Peak Forward Current (1/10 Duty Ratio, 0.1ms Pulse Width), I_{FM} | 50mA |
| Reverse Voltage, V_R | 5V |
| LED Junction Temperature, T_j | +100°C |
| Operating Temperature Range, T_{opr} | -25°C to +80°C |
| Storage Temperature Range, T_{stg} | -40°C to +100°C |
| DIP Soldering Temperature (During Soldering, 3mm from body, 5sec max), T_L | +260°C |

Electro-Optical Characteristics: ($T_A = +25^\circ\text{C}$ unless otherwise specified)

| Parameter | Symbol | Test Conditions | Min | Typ | Max | Unit |
|-------------------------------|-------------------------|-----------------|-----|------|------|------|
| View Angle of Half Power | $2\theta_{1/2}$ | IF = 20mA | - | 45 | - | deg |
| Forward Voltage | VF | IF = 20mA | - | 2.10 | 2.80 | V |
| Yellow | | | | | | |
| Yellow Green | | | | 2.15 | 2.80 | V |
| Luminous Intensity (Note 1) | IV | IF = 20mA | 10 | 20 | - | mcd |
| Yellow | | | | | | |
| Yellow Green | | | 20 | 30 | - | mcd |
| Peak Emission Wavelength | λ_p | IF = 20mA | - | 589 | - | nm |
| Yellow | | | | | | |
| Yellow Green | | | | 570 | - | nm |
| Dominant Wave Length (Note 2) | $\lambda_d(\text{HUE})$ | IF = 20mA | - | 585 | - | nm |
| Yellow | | | | | | |
| Yellow Green | | | | 567 | - | nm |

Note 1. Luminous intensity is measured with an Exeltron 2001, Tolerance = 30%.

Note 2. The dominant wavelength, λ_d , is derived from the CIE Chromaticity Diagram and represents the color of the device.



- 1. Yellow -
- 2. Green -