

# Anti-Vandal Pushbutton, Single Pole



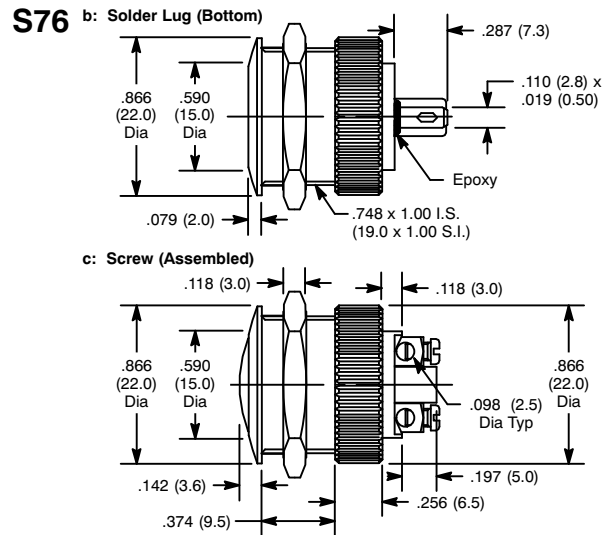
## Features

- .748" (19mm) bushing diameter



NTE Type No.	Circuitry	Action		Actuator	Diag No.
54-377	SPST-NO	OFF	(ON)	Stainless Steel, Flat	S76b
54-378	SPST-NO	OFF	(ON)	Stainless Steel, Curved	S76c

SPECIAL NOTE: ( ) = Momentary Function



## Specifications

**Contact Rating:** 2A 48VDC max. (resistive load)  
**Initial Contact Resistance:** 10 Milliohms (max.) at 1A, 2V  
**Insulation Resistance:** 100 Megohms (min.) at 500VDC  
**Dielectric Strength:** 2000V RMS (min.)  
**Temperature Rating:** -4°F to +131°F (-20°C to +55°C)  
**Electrical Life:** 10,000 cycles min. at full load  
**Mechanical Life:** 1,000,000 cycles min.  
**Terminal Type:** Refer to Diag No. in Table  
**Mounting Hole:** .756 (19.2)

# Anti-Vandal Pushbutton, Single Pole



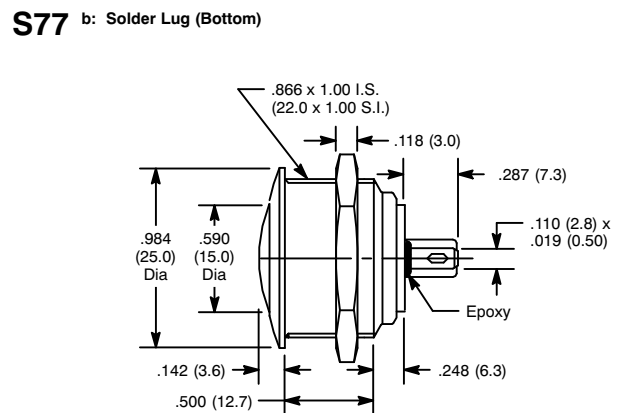
## Features

- .866" (22mm) bushing diameter



NTE Type No.	Circuitry	Action		Actuator	Diag No.
54-379	SPST-NO	OFF	(ON)	Stainless Steel, Curved	S77b

SPECIAL NOTE: ( ) = Momentary Function



## Specifications

**Contact Rating:** 2A 48VDC max. (resistive load)  
**Initial Contact Resistance:** 10 Milliohms (max.) at 1A, 2V  
**Insulation Resistance:** 100 Megohms (min.) at 500VDC  
**Dielectric Strength:** 2000V RMS (min.)  
**Temperature Rating:** -4°F to +131°F (-20°C to +55°C)  
**Electrical Life:** 10,000 cycles min. at full load  
**Mechanical Life:** 1,000,000 cycles min.  
**Terminal Type:** Solder Lug/Quick-Connect  
**Mounting Hole:** .756 (19.2)

# Security Pushbutton, Single Pole



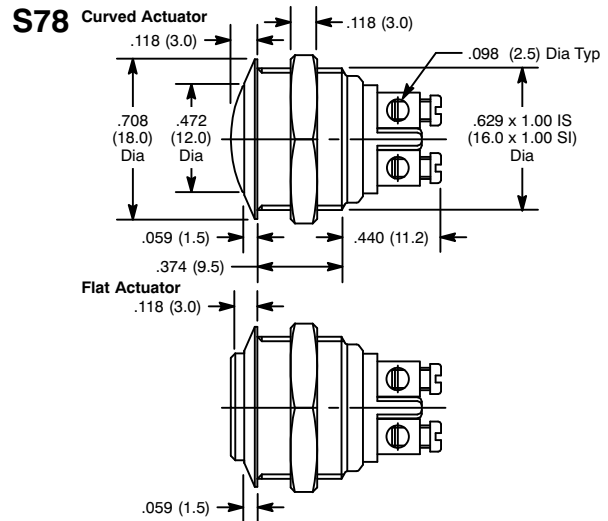
## Features

- .629" (16mm) bushing diameter



NTE Type No.	Circuitry	Action		Actuator	Diag No.
54-460	SPST-NO	OFF	(ON)	Stainless Steel, Curved	S78
54-474	SPST-NO	OFF	(ON)	Nickel Plated Brass, Flat	S78

SPECIAL NOTE: ( ) = Momentary Function



## Specifications

**Contact Rating:** 100-400mA 48VDC max. (resistive load)  
**Initial Contact Resistance:** 50 Milliohms (max.)  
**Insulation Resistance:** 1000 Megohms (min.) at 500VDC  
**Dielectric Strength:** 2000V RMS (min.)  
**Temperature Rating:** -4°F to +131°F (-20°C to +55°C)  
**Electrical Life:** 50,000 cycles min. at 200mA 48VDC  
**Mechanical Life:** 1,000,000 cycles min.  
**Terminal Type:** Screw Type  
**Mounting Hole:** .638 (16.2)

# Security Pushbutton, Single Pole



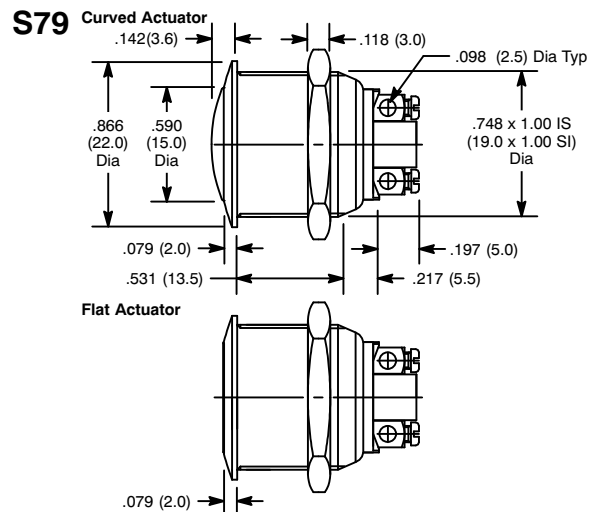
## Features

- .748" (19mm) bushing diameter



NTE Type No.	Circuitry	Action		Actuator	Diag No.
54-375	SPST-NO	OFF	(ON)	Nickel Plated Brass, Flat	S79
54-376	SPST-NO	OFF	(ON)	Nickel Plated Brass, Curved	S79

SPECIAL NOTE: ( ) = Momentary Function



## Specifications

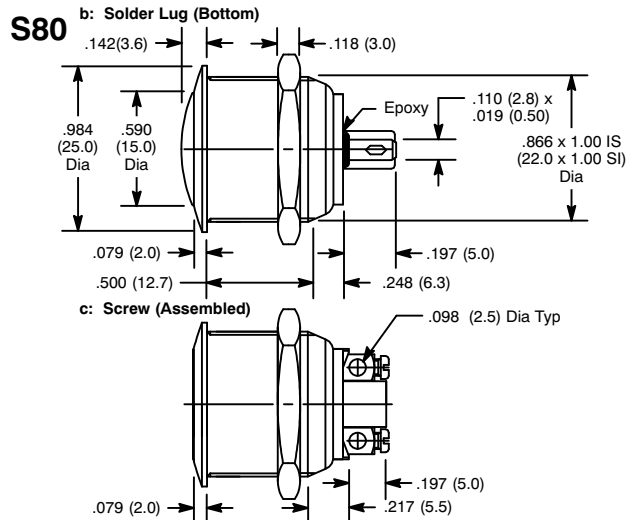
**Contact Rating:** 2A 48VDC max. (resistive load)  
**Initial Contact Resistance:** 10 Milliohms (max.) at 1A, 2V  
**Insulation Resistance:** 1000 Megohms (min.) at 500VDC  
**Dielectric Strength:** 2000V RMS (min.)  
**Temperature Rating:** -4°F to +131°F (-20°C to +55°C)  
**Electrical Life:** 10,000 cycles min. full load  
**Mechanical Life:** 1,000,000 cycles min.  
**Terminal Type:** Screw Type  
**Mounting Hole:** .756 (19.2)

# Security Pushbutton, Single Pole



## Features

- .866" (22mm) bushing diameter



## Specifications

**Contact Rating:** 2A 48VDC max. (resistive load)  
**Initial Contact Resistance:** 10 Milliohms (max.) at 1A, 2V  
**Insulation Resistance:** 1000 Megohms (min.) at 500VDC  
**Dielectric Strength:** 2000V RMS (min.)  
**Temperature Rating:** -4°F to +131°F (-20°C to +55°C)  
**Electrical Life:** 10,000 cycles min. full load  
**Mechanical Life:** 1,000,000 cycles min.  
**Terminal Type:** Refer to Diag No. in Table  
**Mounting Hole:** .874 (22.2)

NTE Type No.	Circuitry	Action		Actuator	Diag No.
54-461	SPST-NO	OFF	(ON)	Nickel Plated Brass, Curved	S80c
54-462	SPST-NO	OFF	(ON)	Nickel Plated Brass, Curved	S80b
54-463	SPST-NO	OFF	(ON)	Nickel Plated Brass, Flat	S80c

SPECIAL NOTE: ( ) = Momentary Function

# Security Pushbutton, Single Pole

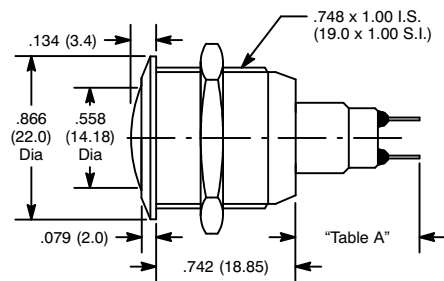


## Features

- .748" (19mm) bushing diameter



## S81



	in.	mm
54-464	.685	16.72
54-465	.845	21.47

## Specifications

**Contact Rating:** 3A 120VAC or 28VDC, 1.5A 250VAC (1)  
 1A 120VAC or 28VDC, 0.5A 250VAC (2)  
 (max. resistive load)

**Initial Contact Resistance:** 10 Milliohms (max.) at 3V, 0.1A  
**Insulation Resistance:** 10,000 Megohms (min.)

**Dielectric Strength:** 1000V RMS (min.)  
**Temperature Rating:** -22°F to +185°F (-30°C to +85°C)

**Electrical Life:** 10,000<sup>(1)</sup>/250,000<sup>(2)</sup> cycles min. full load  
**Mechanical Life:** 250,000 cycles (min.) **54-464**  
 1,000,000 cycles (min.) **54-465**

**Terminal Type:** Solder Lug  
**Mounting Hole:** .756 (19.2)

NTE Type No.	Circuitry	Action		Actuator	Diag No.
54-464	SPST-NO	OFF	(ON)	Nickel Plated Brass, Curved	S81
54-465	SPST-NO	ON*	OFF*	Nickel Plated Brass, Curved	S81

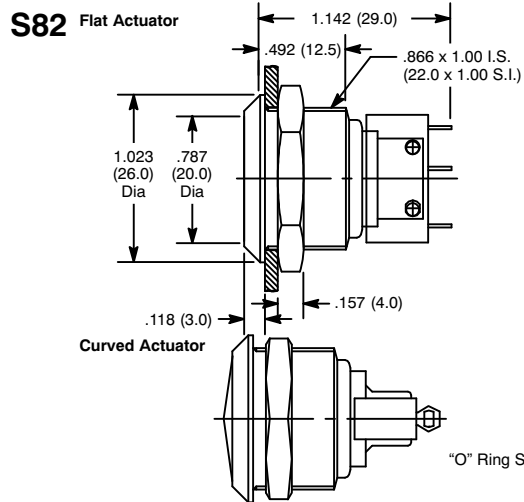
SPECIAL NOTE: ( ) = Momentary Function  
 \* = Alternate Action (Push ON/Push OFF)

# Security Pushbutton, Single Pole



## Features

- .866" (22mm) bushing diameter
- Large Actuator



## Specifications

**Contact Rating:** 5A 250VAC max.  
**Initial Contact Resistance:** 100 Milliohms (max.)  
**Insulation Resistance:** 1000 Megohms (min.) at 500VDC  
**Dielectric Strength:** 2000V RMS (min.)  
**Temperature Rating:** -4°F to +131°F (-20°C to +55°C)  
**Electrical Life:** 1,000,000 cycles (min.) at 1A 250VAC or 100,00 cycles at full load  
**Mechanical Life:** 3,000,000 cycles min.  
**Terminal Type:** Solder Lug  
**Mounting Hole:** .874 (22.2)

NTE Type No.	Circuitry	Action		Actuator	Diag No.
54-466	SPST-NO/NC	ON	(OFF)	Stainless Steel, Flat	S82
54-468	SPST-NO/NC	ON	(OFF)	Stainless Steel, Curved	S82

SPECIAL NOTE: ( ) = Momentary Function

# Security Pushbutton, Single Pole

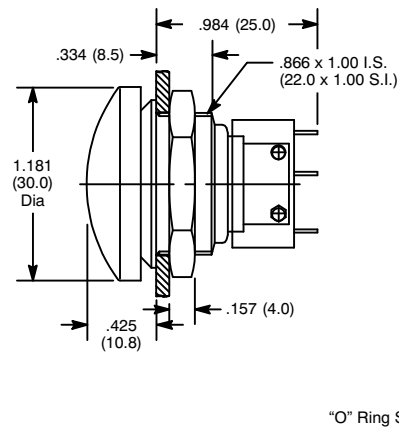


## Features

- .866" (22mm) bushing diameter
- Mushroom Head Actuator



## S83



## Specifications

**Contact Rating:** 5A 250VAC max.  
**Initial Contact Resistance:** 100 Milliohms (max.)  
**Insulation Resistance:** 1000 Megohms (min.) at 500VDC  
**Dielectric Strength:** 2000V RMS (min.)  
**Temperature Rating:** -4°F to +131°F (-20°C to +55°C)  
**Electrical Life:** 1,000,000 cycles (min.) at 1A 250VAC or 100,00 cycles at full load  
**Mechanical Life:** 1,000,000 cycles min.  
**Terminal Type:** Solder lug  
**Mounting Hole:** .874 (22.2)

NTE Type No.	Circuitry	Action		Actuator	Diag No.
54-469	SPST-NO/NC	ON	(OFF)	Nickel Plated Brass, Red	S83
54-470	SPST-NO/NC	ON	(OFF)	Nickel Plated Brass, Black	S83

SPECIAL NOTE: ( ) = Momentary Function

# Security Pushbutton, Single Pole



## Features

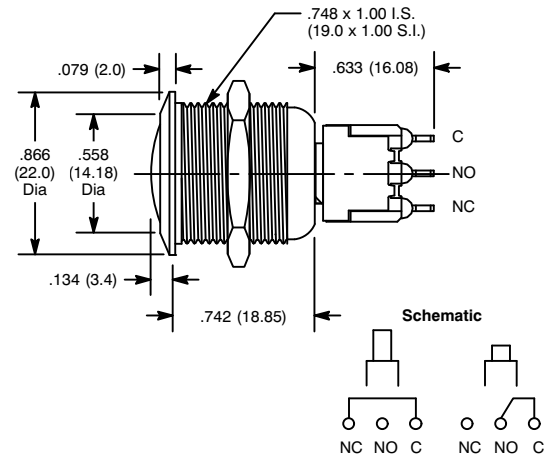
- .748" (19mm) bushing diameter



NTE Type No.	Circuitry	Action	Actuator	Diag No.
54-471	SPDT-NO/NC	ON (OFF)	Nickel Plated Brass, Curved	S84

SPECIAL NOTE: ( ) = Momentary Function

## S84



## Specifications

**Contact Rating:** 6A 125VAC, 3A 250VAC or 7A 30VDC  
**Initial Contact Resistance:** 20 Milliohms (max.) at 3VDC, 0.1A  
**Insulation Resistance:** 200,000 Megohms (min.)  
**Dielectric Strength:** 1500V RMS (min.)  
**Temperature Rating:** -22°F to +185°F (-30°C to +85°C)  
**Electrical Life:** 60,000 cycles (min.)  
**Mechanical Life:** 500,000 cycles (min.)  
**Terminal Type:** Solder lug  
**Mounting Hole:** .756 (19.2)

# Snap Action Security Pushbutton, Single Pole



## Features

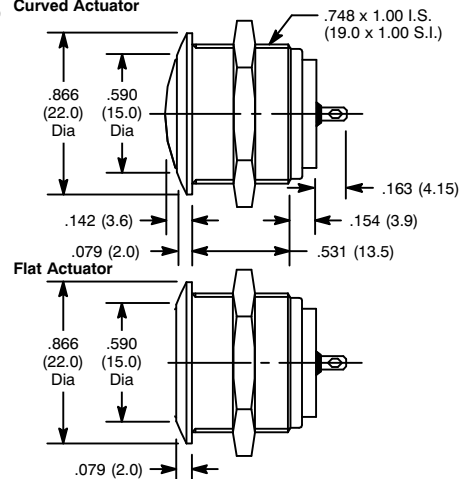
- .748" (19mm) bushing diameter



NTE Type No.	Circuitry	Action	Actuator	Diag No.
54-472	SPDT-NO	OFF (ON)	Nickel Plated Brass, Curved	S85
54-473	SPDT-NO	OFF (ON)	Nickel Plated Brass, Flat	S85

SPECIAL NOTE: ( ) = Momentary Function

## S85 Curved Actuator



## Specifications

**Contact Rating:** 50mA 24VDC max. (Resistive Load)  
**Initial Contact Resistance:** 100 Milliohms (max.)  
**Insulation Resistance:** 1000 Megohms (min.) at 500VDC  
**Dielectric Strength:** 500V RMS (min.)  
**Temperature Rating:** -22°F to +158°F (-30°C to +70°C)  
**Electrical Life:** 1,000,000 cycles at full load  
**Mechanical Life:** 100,000 cycles at 300mA 24V  
**Operating Force:** 7 N ±2 N  
**Terminal Type:** Solder lug  
**Mounting Hole:** .756 (19.2)