

Miniature Snap-In Nylon Illuminated Rocker

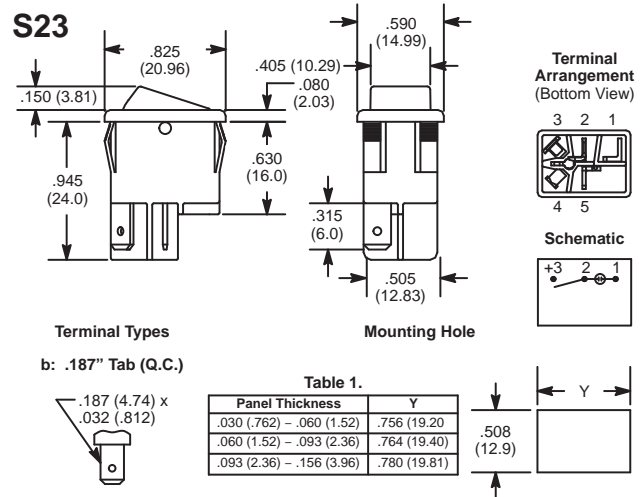


Features

- Single Pole
- .187" Quick Connect Terminals
- Fits Standard Panel Cutout
- High Inrush Capability
- Shallow base Design



NTE Type No.	Circuitry	Action			Actuator	Lens Color	Diag No.
54-080	SPST	ON	NONE	OFF	Polycarbonate	Red	S23b



Specifications

Current Rating: 12A 125VAC, 8A 250VAC, 1/2 HP 125-250VAC
Lamp Voltage: 125V Neon
Insulation Resistance: 50 Megohms (min.)
Dielectric Strength: 1500V RMS (min.)
Temperature Rating: +32° to +185°F (0° to +85°C)
Electrical Life: 50,000 cycles
Mechanical Life: 100,000 cycles
Terminal Type: .187" Tab Q.C.
Mounting Hole: See Table 1

Miniature Snap-In Nylon Illuminated Rocker

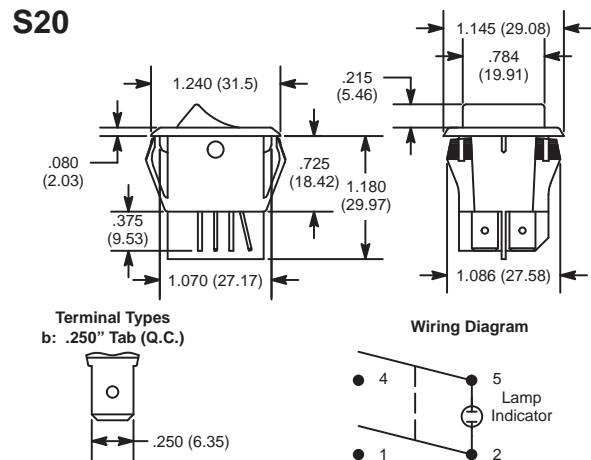


Features

- Double Pole
- .250" Quick Connect Terminals
- High Inrush Capability



NTE Type No.	Circuitry	Action			Actuator	Lens Color	Diag No.
54-082	DPST	OFF	NONE	ON	Translucent Nylon	Red	S20b



Specifications

Current Rating: 20A 125VAC, 15A 250VAC
Lamp Voltage: 125V Neon
Insulation Resistance: 100 Megohms (min.)
Dielectric Strength: 1000V RMS (min.)
Temperature Rating: +32° to +185°F (0° to +85°C)
Electrical Life: 50,000 cycles
Mechanical Life: 100,000 cycles
Terminal Type: .250" Tab Q.C.
Mounting Hole: 1.125 (28.58) x 1.000 (25.4)