

Snap-In Nylon Illuminated Rocker



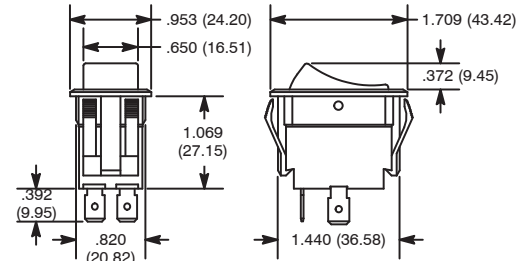
Features

- AC Rated, Also Suitable for Low Voltage DC Applications



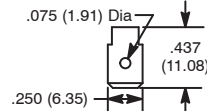
NTE Type No.	Circuitry	Action			Actuator		Lens Color	Diag No.
					Material	Color		
54-029	SPST	ON	NONE	OFF	Nylon	White	Green	S15b
54-053	SPST	ON	NONE	OFF	Nylon	Black	Amber	S15b

S15

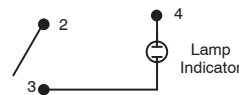


Terminal Types

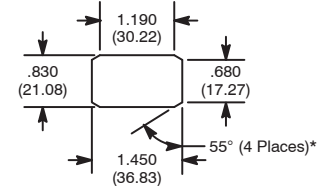
b: .250" Tab (Q.C.)



Wiring Diagram



Mounting Hole



* Angled corners are suggested for optimum fit. Standard rectangular cutout is acceptable

Specifications

Current Rating: 15A 125VAC, 10A 250VAC, 1/2 HP 125-250VAC

Lamp Voltage: 125V Neon (54-053), 18V Incandescent (54-029)

Insulation Resistance: 100 Megohms (min.)

Dielectric Strength: 1000V RMS (min.)

Temperature Rating: +32° to +185°F (0° to +85°C)

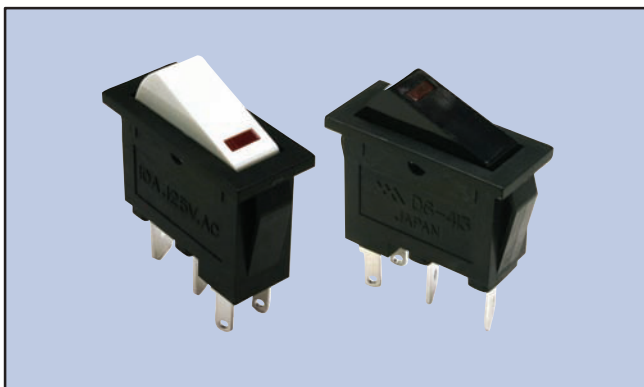
Electrical Life: 50,000 cycles

Mechanical Life: 100,000 cycles

Terminal Type: .250" Tab Q.C.

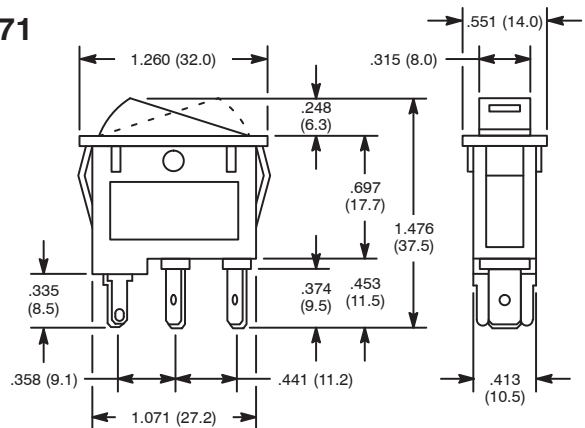
Mounting Hole: 1.450 (36.83) x .830 (21.08)

Snap-In Illuminated Rocker



NTE Type No.	Circuitry	Action			Actuator		Lens Color	Diag No.
					Material	Color		
54-386	SPST	ON	NONE	OFF	Polycarbonate	White	Red	S71
54-387	SPST	ON	NONE	OFF	Polycarbonate	Black	Red	S71

S71



Specifications

Current Rating: 10A 125VAC

Lamp Voltage: 2.1V LED

Insulation Resistance: 100 Megohms (min.) at 500VDC

Dielectric Strength: 1000V RMS (min.)

Temperature Rating: +14° to +131°F (-10° to +55°C)

Electrical Life: 20,000 cycles

Mechanical Life: 30,000 cycles

Terminal Type: .250" Tab Q.C.

Mounting Hole: 1.189 (30.2) x .433 (11.0)