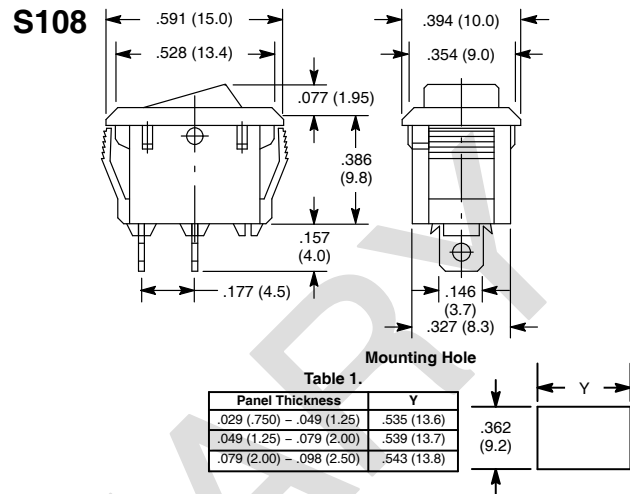
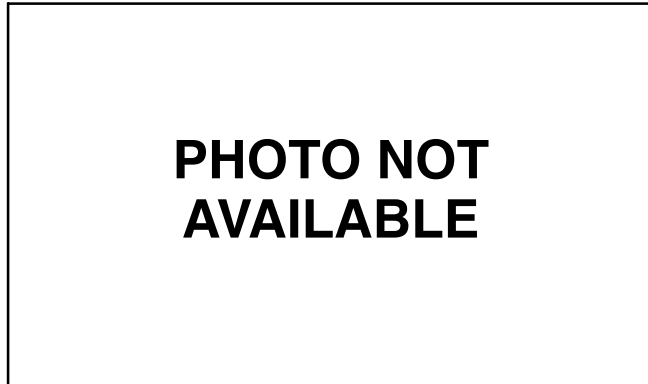


# Micro Snap-In Nylon Rocker, Single Pole



## Features

- Fits Standard Panel Cutout
- RoHS Compliant



## Specifications

**Current Rating:** 6A 125VAC, 3A 250VAC, 3A 250VAC T100/55

**Insulation Resistance:** 100 Megohms (min.) at 500VDC

**Dielectric Strength:** 1000V RMS (min.) for 1 minute

**Temperature Rating:** +32°F to +212°F (0°C to +100°C)

**Electrical Life:** 10,000 cycles

**Mechanical Life:** 50,000 cycles

**Terminal Type:** Solder Lug

**Mounting Hole:** See Table 1.

NTE Type No.	Circuitry	Action			Actuator	Legend	Diag No.
54-870	SPST	ON	NONE	OFF	White Nylon	Yes	S108
54-872	SPST	ON	NONE	OFF	Black Nylon	Yes	S108
54-874	SPST	ON	NONE	OFF	Red Nylon	No	S108