

Miscellaneous Switches

In-Line Switch



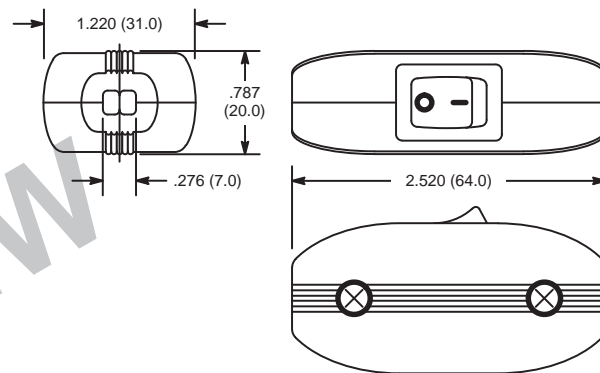
Features

- For 16 AWG and 18 AWG Wire



NTE Type No.	Circuitry	Action			Actuator	Legend	Diag No.
54-743	SPST	ON	NONE	OFF	Nylon 66	Yes	S148

S148



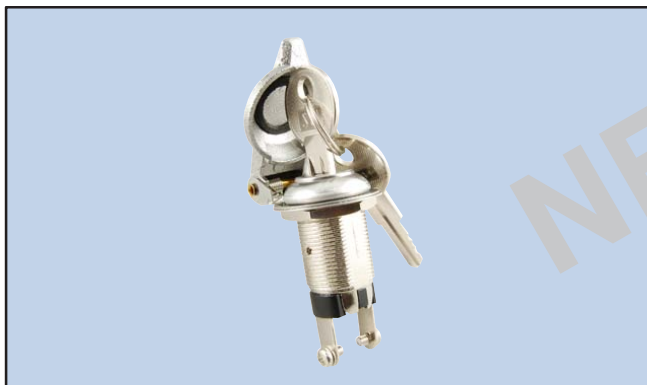
Specifications

Current Rating: 10A 125VAC, 6A 250VAC
Insulation Resistance: 100 Megohms (min.) at 500VDC
Dielectric Strength: 1500V RMS (min.)
Temperature Rating: -4° to +185°F (-20° to +85°C)
Electrical Life: 6000 cycles
Mechanical Life: 10000 cycles
Operation Force: 450g
Terminal Type: N/A
Mounting Hole: N/A

Key Switch

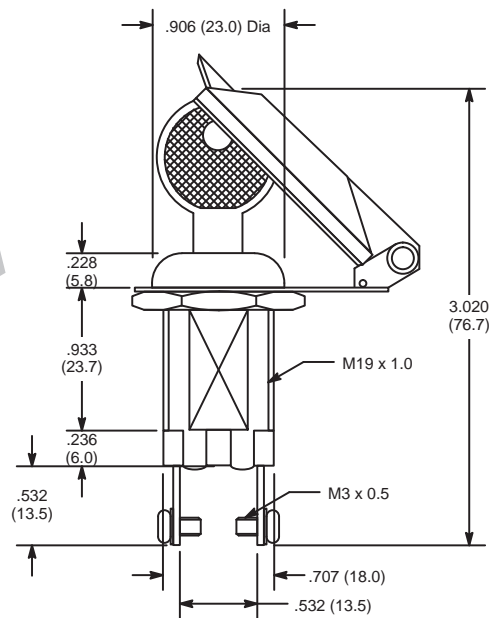
Features

- Includes Cover



NTE Type No.	Circuitry	Action			Housing	Cover	Diag No.
54-741	SPST	ON	NONE	OFF	ZDC1	Yes	S149

S149



Specifications

Current Rating: 3A 125VAC, 1.5A 250VAC
Insulation Resistance: 100 Megohms (min.) at 500VDC
Dielectric Strength: 1000V RMS (min.)
Temperature Rating: -13° to +185°F (-25° to +85°C)
Electrical Life: 6000 cycles
Mechanical Life: 10000 cycles
Terminal Type: Screw Type
Mounting Hole: .756 (19.2)