

Bat Handle Toggle, Single Pole

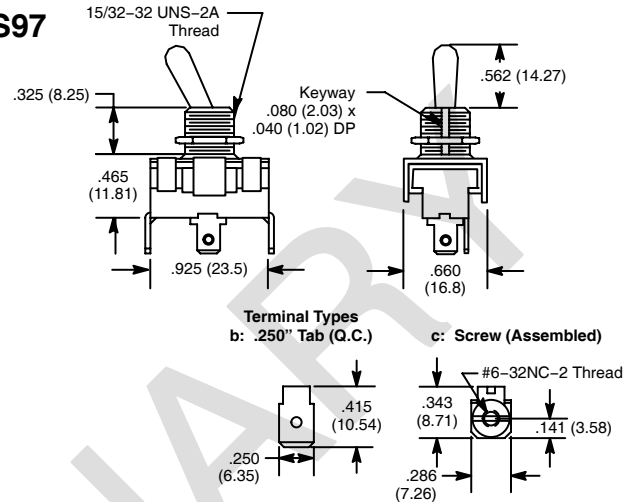


Features

- Slow-Make/Slow-Break Butt Contact
- 1 HP, 125–250VAC



S97



NTE Type No.	Circuitry	Action			Actuator	Diag No.
54–579	SPST	ON	NONE	OFF	Nickel Plated Brass	S97b
54–580	SPST	(ON)	NONE	OFF	Nickel Plated Brass	S97b
54–581	SPST	ON	NONE	(OFF)	Nickel Plated Brass	S97b
54–582	SPDT	ON	NONE	ON	Nickel Plated Brass	S97b
54–583	SPDT	ON	OFF	ON	Nickel Plated Brass	S97b
54–584	SPDT	(ON)	NONE	ON	Nickel Plated Brass	S97b
54–585	SPDT	(ON)	OFF	ON	Nickel Plated Brass	S97b
54–586	SPDT	(ON)	OFF	(ON)	Nickel Plated Brass	S97b
54–593	SPST	ON	NONE	OFF	Nickel Plated Brass	S97c
54–594	SPST	(ON)	NONE	OFF	Nickel Plated Brass	S97c
54–595	SPST	ON	NONE	(OFF)	Nickel Plated Brass	S97c
54–596	SPDT	ON	NONE	ON	Nickel Plated Brass	S97c
54–597	SPDT	ON	OFF	ON	Nickel Plated Brass	S97c
54–598	SPDT	(ON)	NONE	ON	Nickel Plated Brass	S97c
54–599	SPDT	(ON)	OFF	ON	Nickel Plated Brass	S97c
54–600	SPDT	(ON)	OFF	(ON)	Nickel Plated Brass	S97c

SPECIAL NOTE: () = Momentary Function

Specifications

- Current Rating:** 20A 125VAC, 10A 250VAC, 1 HP 125–250VAC
- Insulation Resistance:** 10⁹ ohms (min.)
- Dielectric Strength:** 1500V RMS (min.)
- Temperature Rating:** +14°F to +149°F (–10°C to +65°C)
- Electrical Life:** 10,000 cycles (min.) at full load
- Mechanical Life:** 30,000 cycles (min.)
- Terminal Type:** Refer to Diag. No. in Table
- Mounting Hole:** .500 (12.7)

Bat Handle Toggle, Double Pole

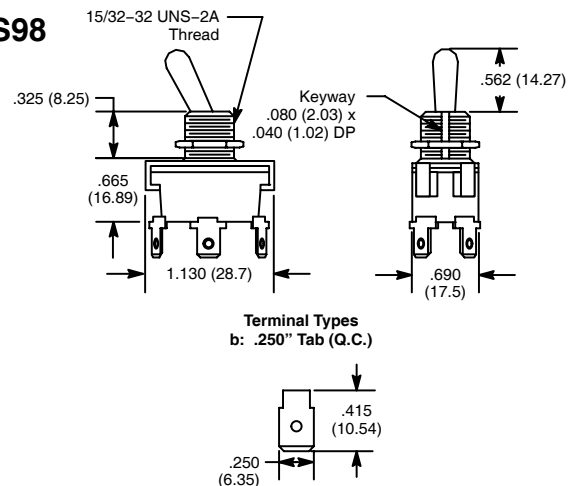


Features

- Slow-Make/Slow-Break Butt Contact
- 1 HP, 125–250VAC



S98



Specifications

- Current Rating:** 20A 125VAC, 10A 250VAC, 1 HP 125–250VAC
- Insulation Resistance:** 10⁹ ohms (min.)
- Dielectric Strength:** 1500V RMS (min.)
- Temperature Rating:** +14°F to +149°F (–10°C to +65°C)
- Electrical Life:** 10,000 cycles (min.) at full load
- Mechanical Life:** 30,000 cycles (min.)
- Terminal Type:** .250" Tab Q.C.
- Mounting Hole:** .500 (12.7)

NTE Type No.	Circuitry	Action			Actuator	Diag No.
54–590	DPST	ON	NONE	OFF	Nickel Plated Brass	S98b
54–591	DPDT	ON	NONE	ON	Nickel Plated Brass	S98b
54–592	DPDT	ON	OFF	ON	Nickel Plated Brass	S98b

Bat Handle Toggle, Single Pole

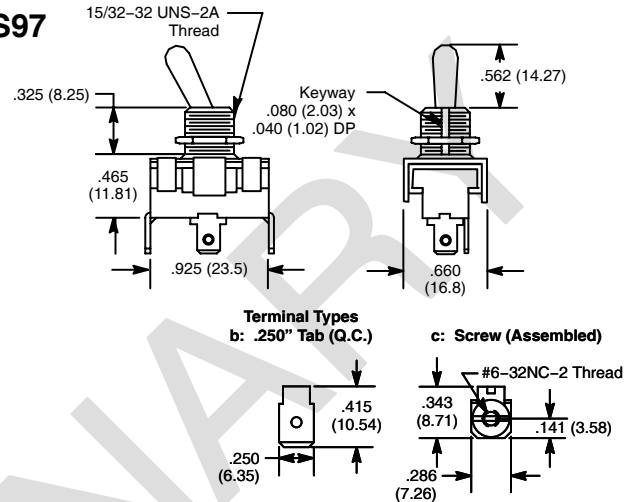


Features

- Slow-Make/Slow-Break Butt Contact
- 3/4 HP, 125-250VAC



S97



NTE Type No.	Circuitry	Action			Actuator	Diag No.
54-610	SPST	ON	NONE	OFF	Nickel Plated Brass	S97c
54-611	SPST	(ON)	NONE	OFF	Nickel Plated Brass	S97c
54-612	SPST	ON	NONE	(OFF)	Nickel Plated Brass	S97c
54-613	SPDT	ON	NONE	ON	Nickel Plated Brass	S97c
54-614	SPDT	ON	OFF	ON	Nickel Plated Brass	S97c
54-615	SPDT	(ON)	NONE	ON	Nickel Plated Brass	S97c
54-616	SPDT	(ON)	OFF	ON	Nickel Plated Brass	S97c
54-617	SPDT	(ON)	OFF	(ON)	Nickel Plated Brass	S97c
54-619	SPST	ON	NONE	OFF	Nickel Plated Brass	S97b
54-620	SPST	(ON)	NONE	OFF	Nickel Plated Brass	S97b
54-621	SPST	ON	NONE	(OFF)	Nickel Plated Brass	S97b
54-622	SPDT	ON	NONE	ON	Nickel Plated Brass	S97b
54-623	SPDT	ON	OFF	ON	Nickel Plated Brass	S97b
54-624	SPDT	(ON)	NONE	ON	Nickel Plated Brass	S97b
54-625	SPDT	(ON)	OFF	ON	Nickel Plated Brass	S97b
54-626	SPDT	(ON)	OFF	(ON)	Nickel Plated Brass	S97b

SPECIAL NOTE: () = Momentary Function

Specifications

- Current Rating:** 20A 125VAC, 10A 250VAC, 3/4 HP 125-250VAC
- Insulation Resistance:** 10⁹ ohms (min.)
- Dielectric Strength:** 1000V RMS (min.)
- Temperature Rating:** +14°F to +149°F (-10°C to +65°C)
- Electrical Life:** 10,000 cycles (min.) at full load
- Mechanical Life:** 30,000 cycles (min.)
- Terminal Type:** Refer to Diag. No. in Table
- Mounting Hole:** .500 (12.7)

Bat Handle Toggle, Double Pole

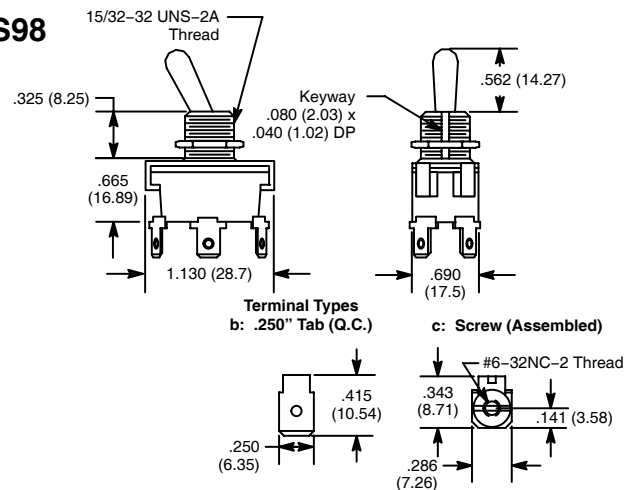


Features

- Slow-Make/Slow-Break Butt Contact
- 3/4 HP, 125-250VAC



S98



NTE Type No.	Circuitry	Action			Actuator	Diag No.
54-602	DPST	ON	NONE	OFF	Nickel Plated Brass	S98c
54-603	DPDT	ON	NONE	ON	Nickel Plated Brass	S98c
54-604	DPDT	ON	OFF	ON	Nickel Plated Brass	S98c
54-606	DPST	ON	NONE	OFF	Nickel Plated Brass	S98b
54-607	DPDT	ON	NONE	ON	Nickel Plated Brass	S98b
54-608	DPDT	ON	OFF	ON	Nickel Plated Brass	S98b

Specifications

- Current Rating:** 20A 125VAC, 10A 250VAC, 3/4 HP 125-250VAC
- Insulation Resistance:** 10⁹ ohms (min.)
- Dielectric Strength:** 1000V RMS (min.)
- Temperature Rating:** +14°F to +149°F (-10°C to +65°C)
- Electrical Life:** 10,000 cycles (min.) at full load
- Mechanical Life:** 30,000 cycles (min.)
- Terminal Type:** Refer to Diag. No. in Table
- Mounting Hole:** .500 (12.7)