

# Sealed Automotive/Marine Nylon Snap-In Rocker, Illuminated

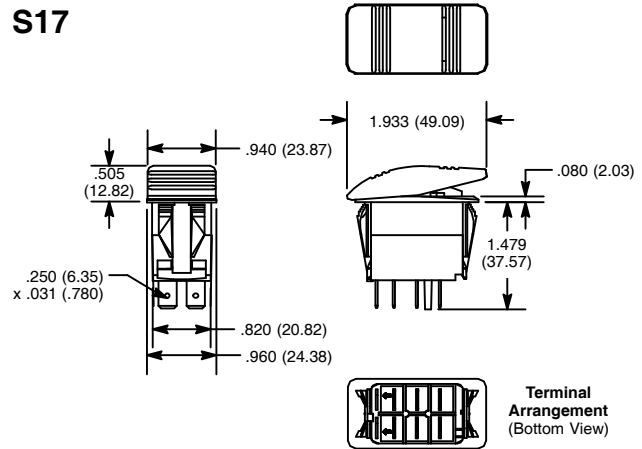


## Features

- Illuminated and Non-Illuminated Types
- IP66/IP68 Certified
- UL1500 Recognized – Ignition Protection for Marine Use
- Sealed for Auto/Marine applications
- Salt Spray Resistant
- Able to Withstand  $-40^{\circ}$  to  $+85^{\circ}\text{C}$  Temperature



S17



NOTE: Lamp wired to Terminals 3 and 7.

## Specifications

- Current Rating:** 20A 12VDC  
**Lens Color:** See Table  
**Lamp Voltage:** 12V Incandescent  
**Insulation Resistance:** 50 Megohms (min.)  
**Dielectric Strength:** 1500V RMS (min.)  
**Temperature Rating:**  $-40^{\circ}\text{F}$  to  $+185^{\circ}\text{F}$  ( $-40^{\circ}\text{C}$  to  $+85^{\circ}\text{C}$ )  
**Electrical Life:** 50,000 to 100,000 cycles circuit dependent  
**Mechanical Life:** 150,000 cycles  
**Terminal Type:** .250" Tab Q.C.  
**Mounting Hole:** 1.450 (36.83) x .830 (21.08)

NTE Type No.	Circuitry	Action			Actuator	Lens Color	Diag No.	
54-034	SPST	ON	NONE	OFF	Illuminated Thermoplastic polycarbonate with a hard Nylon 66 thermoplastic surface overlay	Amber	S17	
54-035	SPST	ON	NONE	OFF		Red	S17	
54-036	DPDT	ON	OFF	ON		Green	S17	
54-037	DPDT	ON	OFF	ON		Red	S17	
54-038	SPST	(ON)	NONE	OFF		Amber	S17	
54-039	SPST	(ON)	NONE	OFF		Red	S17	
54-040	DPDT	(ON)	OFF	(ON)		Amber	S17	
54-041	DPDT	(ON)	OFF	(ON)		Green	S17	
54-042	DPDT	(ON)	OFF	(ON)		Red	S17	
54-043	DPDT	(ON)	OFF	(ON)		Blue	S17	
54-044	SPST	ON	NONE	OFF		Thermoplastic polycarbonate with a hard Nylon 66 thermoplastic surface overlay	Black	S17
54-045	DPDT	ON	NONE	ON			Black	S17
54-046	DPDT	ON	OFF	ON			Black	S17
54-639	DPDT	(ON)	OFF	(ON)	Black		S17	
54-087	SPST	ON	NONE	OFF	Illuminated Thermoplastic polycarbonate with a hard Nylon 66 thermoplastic surface overlay	Green	S17	
54-088	SPST	ON	NONE	OFF		Blue	S17	
54-089	DPDT	ON	OFF	ON		Amber	S17	
54-090	DPDT	ON	OFF	ON		Blue	S17	
54-091	SPST	(ON)	NONE	OFF		Green	S17	
54-092	SPST	(ON)	NONE	OFF		Blue	S17	

SPECIAL NOTE: ( ) = Momentary Function

NEW