

Illuminated Pushbutton Switches

Single Pole, Snap-In



Features

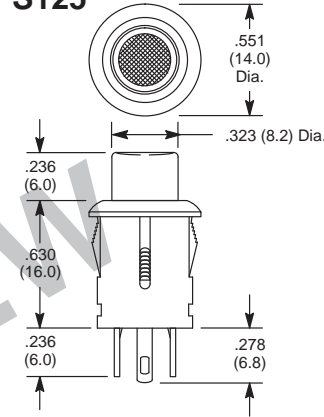
- Snap-In Mounting, Easy to Install into Panel



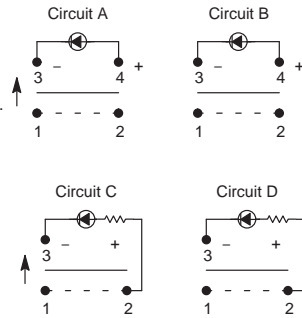
NTE Type No.	Circuitry	Action		Actuator		Lamp Voltage	Circuit	Diag No.
				Material	Color			
54-701-A	SPST	OFF	ON	PC	Amber	3V	B	S125
54-701-R	SPST	OFF	ON	PC	Red	3V	B	S125
54-702-A	SPST	OFF	(ON)	PC	Amber	3V	A	S125
54-702-R	SPST	OFF	(ON)	PC	Red	3V	A	S125
54-703-A	SPST	OFF	(ON)	PC	Amber	12V	C	S125
54-703-R	SPST	OFF	(ON)	PC	Red	12V	C	S125
54-704-A	SPST	OFF	ON	PC	Amber	12V	D	S125
54-704-R	SPST	OFF	ON	PC	Red	12V	D	S125

SPECIAL NOTE: () = Momentary Function

S125



Wiring Diagrams



Specifications

Current Rating: 3A 125VAC; 1.5A 250VAC
6A 14VDC; 3A 28VDC

LED Rating: $V_F = 2.0V$, $I_F = 20mA$ (Amber)
 $V_F = 1.7V$, $I_F = 20mA$ (Red)

Insulation Resistance: 100 Megohms (min.) at 500VDC

Dielectric Strength: 1000VAC RMS (min.), 1 minute

Temperature Rating: +32° to +149°F (0° to +65°C)

Electrical Life: 6000 cycles

Mechanical Life: 100,000 cycles

Terminal Type: Solder Lug

Mounting Hole: .476 (12.1)

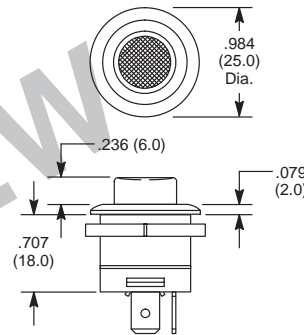
Single Pole



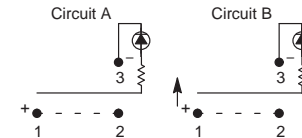
NTE Type No.	Circuitry	Action		Actuator		Lamp Voltage	Circuit	Diag No.
				Material	Color			
54-707	SPST	OFF	ON	PC	Red	12V	A	S126
54-708	SPST	OFF	(ON)	PC	Red	12V	B	S126

SPECIAL NOTE: () = Momentary Function

S126



Wiring Diagrams



Specifications

Current Rating: 10A 14VDC; 5A 24VDC

LED Rating: 12V LED (DC)

Insulation Resistance: 100 Megohms (min.) at 500VDC

Dielectric Strength: 1500VAC RMS (min.), 1 minute

Temperature Rating: -13° to +185°F (-25° to +85°C)

Electrical Life: 25,000 cycles

Mechanical Life: 100,000 cycles

Terminal Type: .250" Quick Connect

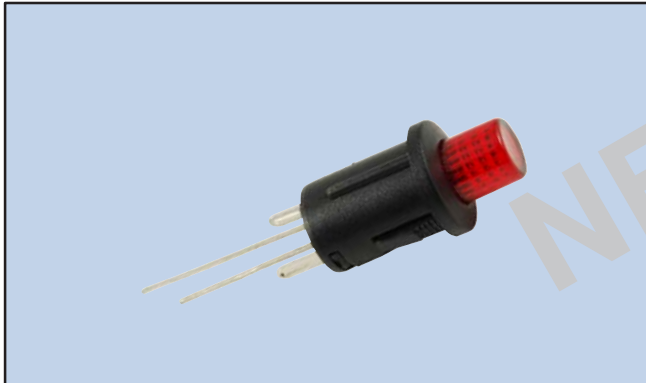
Mounting Hole: .866 (22.0)

Illuminated Pushbutton Switches

Single Pole, Snap-In

Features

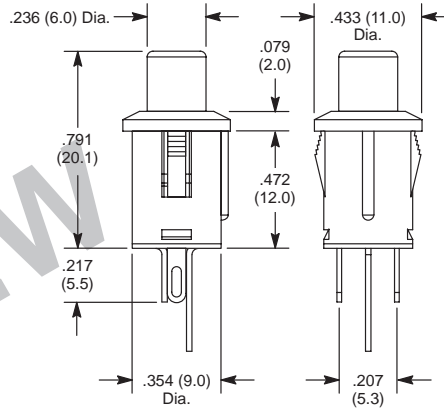
- Snap-In Mounting, Easy to Install into Panel



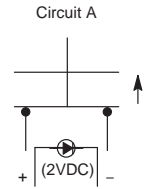
NTE Type No.	Circuitry	Action		Actuator		Lamp Voltage	Circuit	Diag No.
				Material	Color			
54-747-2	SPST	OFF	(ON)	PC	Red	2VDC	A	S127

SPECIAL NOTE: () = Momentary Function

S127



Wiring Diagrams



Specifications

Current Rating: 1A 125VAC; 0.5A 250VAC

LED Rating: 2V LED (DC)

Insulation Resistance: 100 Megohms (min.) at 500VDC

Dielectric Strength: 1000VAC, 1 minute

Temperature Rating: -4° to +185°F (-20° to +85°C)

Electrical Life: 6000 cycles

Mechanical Life: 100,000 cycles

Terminal Type: Solder Lug

Mounting Hole: .366 (9.3)