

Snap-In Nylon Rocker, Single & Double Pole



Features

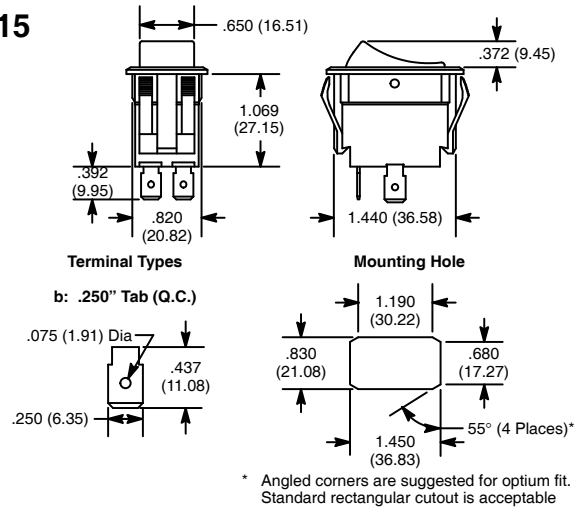
- AC Rated, Also Suitable for Low Voltage DC Applications



| NTE Type No. | Circuitry | Action | | | Actuator | | Diag No. |
|--------------|-----------|--------|------|-------|----------|-------|----------|
| | | | | | Material | Color | |
| 54-047 | SPST | ON | NONE | OFF | Nylon | Black | S15b |
| 54-048 | SPDT | ON | NONE | ON | Nylon | Black | S15b |
| 54-049 | SPDT | ON | OFF | ON | Nylon | Black | S15b |
| 54-050 | DPST | ON | NONE | OFF | Nylon | Black | S15b |
| 54-051 | DPDT | ON | NONE | ON | Nylon | Black | S15b |
| 54-052 | DPDT | ON | OFF | ON | Nylon | Black | S15b |
| 54-114 | DPST | (ON) | NONE | OFF | Nylon | Black | S15b |
| 54-115 | DPST | ON | NONE | (OFF) | Nylon | Black | S15b |
| 54-116 | DPDT | ON | NONE | (ON) | Nylon | Black | S15b |
| 54-117 | DPDT | ON | OFF | (ON) | Nylon | Black | S15b |
| 54-118 | DPDT | (ON) | OFF | (ON) | Nylon | Black | S15b |

SPECIAL NOTE: () = Momentary Function

S15



Specifications

Current Rating: 15A 125VAC, 10A 250VAC, 3/4 HP 125-250VAC
Insulation Resistance: 100 Megohms (min.)
Dielectric Strength: 1000V RMS (min.)
Temperature Rating: +32°F to +185°F (0°C to +85°C)
Electrical Life: 50,000 cycles
Mechanical Life: 100,000 cycles (min.)
Terminal Type: .250" Tab Q.C.
Mounting Hole: 1.450 (36.83) x .830 (21.08)

Snap-In Nylon Rocker, Double Pole



Features

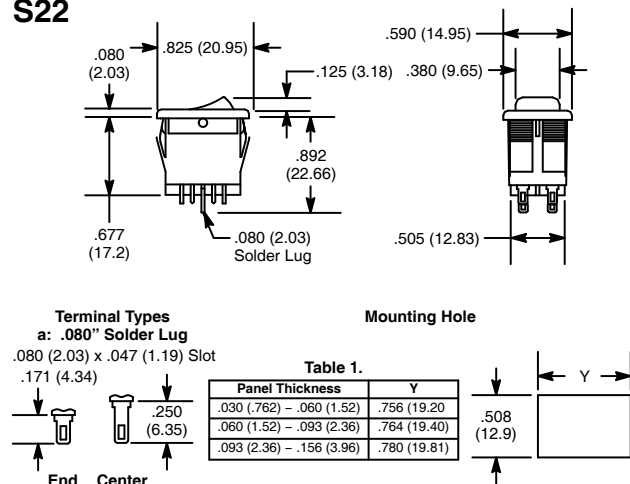
- Single & Double Pole Types
- Double Insulated



| NTE Type No. | Circuitry | Action | | | Actuator | | Diag No. |
|--------------|-----------|--------|------|------|----------|-------|----------|
| | | | | | Material | Color | |
| 54-073 | DPDT | ON | NONE | ON | Nylon | Black | S22a |
| 54-078 | DPDT | ON | NONE | (ON) | Nylon | Black | S22a |
| 54-079 | DPDT | ON | OFF | ON | Nylon | Black | S22a |

SPECIAL NOTE: () = Momentary Function

S22



Specifications

Current Rating: 8A 125VAC, 4A 250VAC
Insulation Resistance: 100 Megohms (min.)
Dielectric Strength: 1000V RMS (min.)
Temperature Rating: +32°F to +185°F (0°C to +85°C)
Electrical Life: 50,000 cycles
Mechanical Life: 100,000 cycles
Terminal Type: .080" Solder Lug
Mounting Hole: See Table 1