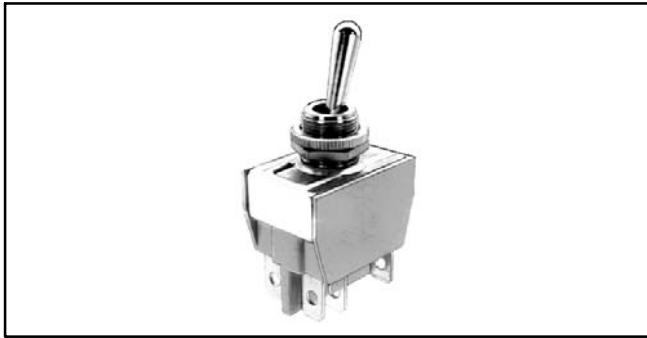
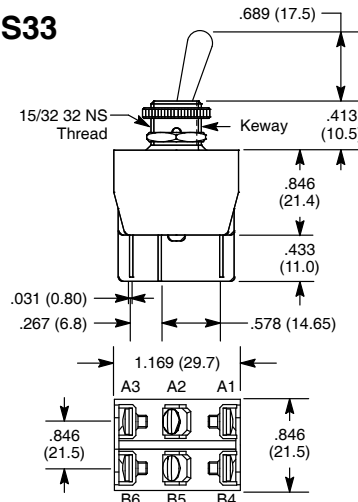


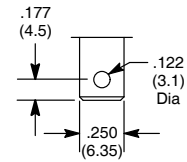
Bat Handle Toggle, Single & Double Pole



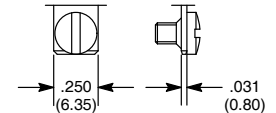
S33



a: Solder Lug/Quick Connect



c: Screw (Assembled)



NTE Type No.	Circuitry	Action			Actuator	Diag No.
54-360	DPDT	ON	NONE	ON	Nickel Plated Brass	S33a
54-361	DPDT	ON	OFF	ON	Nickel Plated Brass	S33a
54-362*	SP3T	ON	ON	ON	Nickel Plated Brass	S33a
54-363	DPDT	(ON)	NONE	ON	Nickel Plated Brass	S33a
54-364	DPDT	(ON)	OFF	(ON)	Nickel Plated Brass	S33a
54-365	DPDT	ON	OFF	(ON)	Nickel Plated Brass	S33a
54-366	DPST	ON	NONE	OFF	Nickel Plated Brass	S33a
54-367	DPST	ON	NONE	OFF	Nickel Plated Brass	S33c
54-369	DPDT	ON	NONE	ON	Nickel Plated Brass	S33c
54-370	DPDT	ON	OFF	ON	Nickel Plated Brass	S33c
54-371*	SP3T	ON	ON	ON	Nickel Plated Brass	S33c
54-372	DPDT	(ON)	NONE	ON	Nickel Plated Brass	S33c
54-373	DPDT	(ON)	OFF	(ON)	Nickel Plated Brass	S33c
54-374	DPDT	ON	OFF	(ON)	Nickel Plated Brass	S33c

SPECIAL NOTE: () = Momentary Function
* SP in DP case.

Specifications

Current Rating:

Functions ON-OFF and ON-ON: 15A 250VAC or 10A 24VDC

Functions ON OFF ON: 10A 125-250VAC, 1/2 HP

Other Functions: 15A 125VAC, 12A 250VAC or 5A 25VDC

Insulation Resistance: 1000 Megohms (min.) at 500VDC

Dielectric Strength: 2000V RMS (min.) between terminals

Temperature Rating: -4°F to +131°F (-20°C to +55°C)

Electrical Life: 10,000 cycles (min.) at full load

Terminal Type: Refer to Diag No. in Table

Mounting Hole: .480 (12.2)