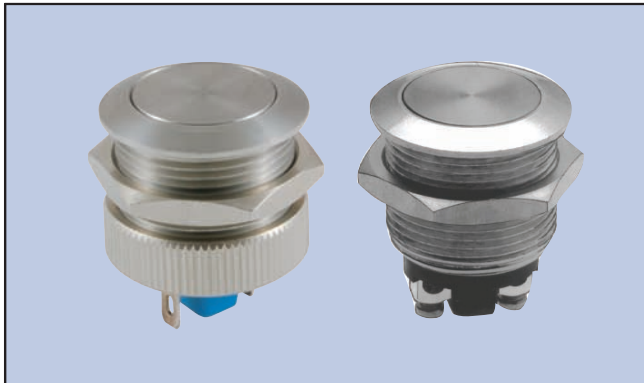


# Anti-Vandal Pushbutton, Single Pole



## Features

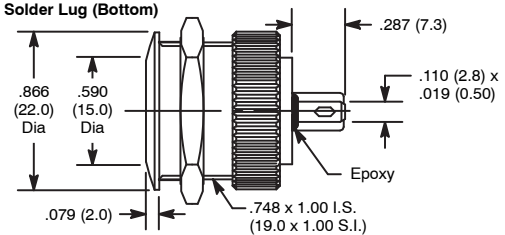
- .748" (19mm) bushing diameter



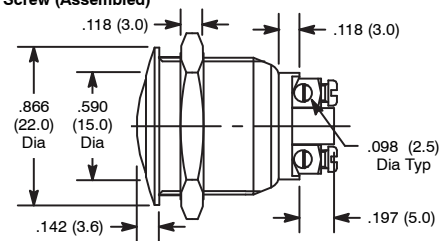
NTE Type No.	Circuitry	Action		Actuator	Diag No.
54-377	SPST-NO	OFF	(ON)	Stainless Steel, Flat	S76b
54-378	SPST-NO	OFF	(ON)	Stainless Steel, Curved	S76c

SPECIAL NOTE: ( ) = Momentary Function

**S76 b: Solder Lug (Bottom)**



**c: Screw (Assembled)**



## Specifications

**Contact Rating:** 2A 48VDC max. (resistive load)  
**Initial Contact Resistance:** 10 Milliohms (max.) at 1A, 2V  
**Insulation Resistance:** 100 Megohms (min.) at 500VDC  
**Dielectric Strength:** 2000V RMS (min.)  
**Temperature Rating:** -4° to +131°F (-20° to +55°C)  
**Electrical Life:** 10,000 cycles min. at full load  
**Mechanical Life:** 1,000,000 cycles min.  
**Terminal Type:** Refer to Diag No. in Table  
**Mounting Hole:** .756 (19.2)

# Anti-Vandal Pushbutton, Single Pole



## Features

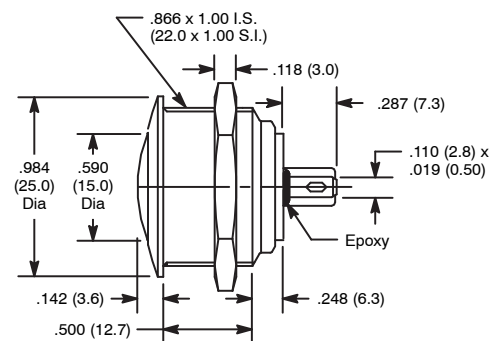
- .866" (22mm) bushing diameter



NTE Type No.	Circuitry	Action		Actuator	Diag No.
54-379	SPST-NO	OFF	(ON)	Stainless Steel, Curved	S77b

SPECIAL NOTE: ( ) = Momentary Function

**S77 b: Solder Lug (Bottom)**



## Specifications

**Contact Rating:** 2A 48VDC max. (resistive load)  
**Initial Contact Resistance:** 10 Milliohms (max.) at 1A, 2V  
**Insulation Resistance:** 100 Megohms (min.) at 500VDC  
**Dielectric Strength:** 2000V RMS (min.)  
**Temperature Rating:** -4° to +131°F (-20° to +55°C)  
**Electrical Life:** 10,000 cycles min. at full load  
**Mechanical Life:** 1,000,000 cycles min.  
**Terminal Type:** Solder Lug/Quick-Connect  
**Mounting Hole:** .756 (19.2)