

Pull Chain, Single Pole

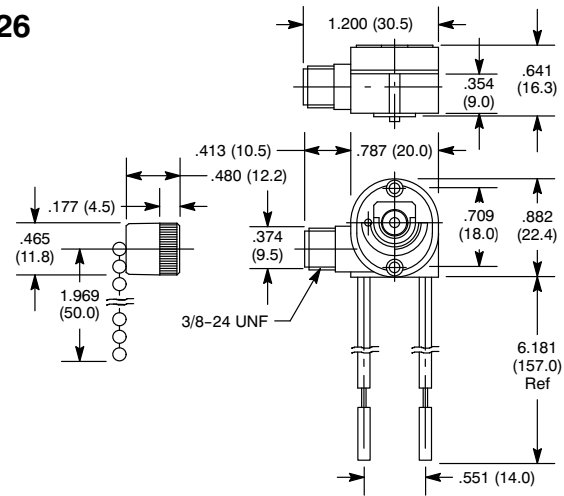


Features

- Steel Chain w/Rope Cord



S26



NTE Type No.	Circuitry	Action		Base	Cover		Diag No.
					Material	Color	
54-538	SPST	ON	OFF	Nylon 66	Nylon 66	Transparent	S26
54-539	SPST	ON	OFF	Nylon 66	Nylon 66	Black	S26

Specifications

Current Rating: 6A 125VAC, 3A 250VAC
Contact Resistance: 50 Milliohms initial (max.)
Insulation Resistance: 100 Megohms (min.) at 500VDC
Dielectric Strength: 1000V RMS (min.) for 1 minute
Operation Force: 400 plus/minus 200 gram
Temperature Rating: +32°F to +149°F (0°C to +65°C)
Electrical Life: 6000 cycles
Mechanical Life: 50,000 cycles
Terminal Type: 18 AWG, 6" length
Mounting Hole: .393 (10.0)

Pull Chain, Single Pole

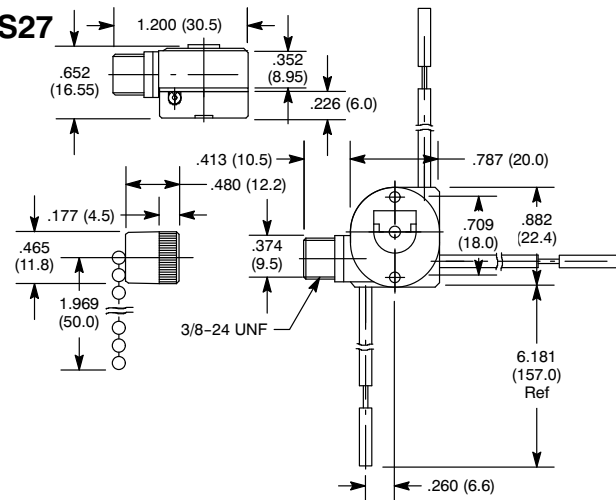


Features

- Steel Chain w/Rope Cord
- For Use in Ceiling Fan Applications



S27



NTE Type No.	Circuitry	Action			Base	Cover		Diag No.	
						Material	Color		
54-540	SP4T	OFF	ON	ON	ON	Nylon 66	Nylon 66	Black	S27

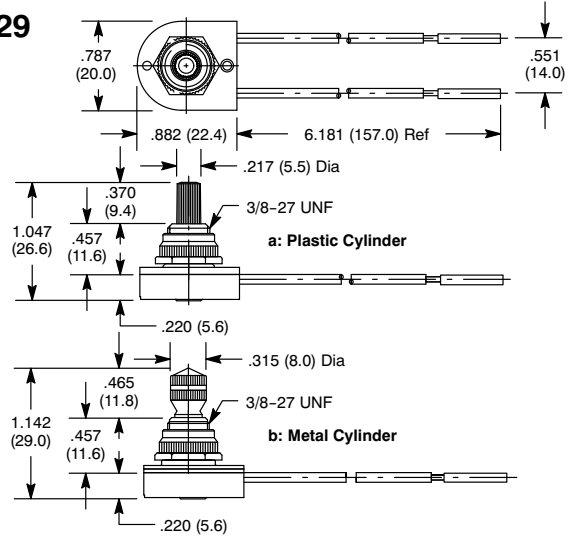
Specifications

Current Rating: 6A 125VAC, 3A 250VAC
Contact Resistance: 50 Milliohms initial (max.)
Insulation Resistance: 100 Megohms (min.) at 500VDC
Dielectric Strength: 1000V RMS (min.) for 1 minute
Operation Force: 400 plus/minus 200 gram
Temperature Rating: +32°F to +149°F (0°C to +65°C)
Electrical Life: 6000 cycles
Mechanical Life: 50,000 cycles
Terminal Type: 18 AWG, 6" length
Mounting Hole: .393 (10.0)

Rotary, Two Position, Single Pole



S29



NTE Type No.	Circuitry	Action		Cylinder	Actuator	Diag No.
54-541	SPST	ON	OFF	Nylon 66	Nylon 66	S29a
54-542	SPST	ON	OFF	Steel	Steel	S29b

Specifications

- Current Rating:** 6A 125VAC, 3A 250VAC, 1A 125VDC
- Contact Resistance:** 20 Milliohms initial (max.)
- Insulation Resistance:** 100 Megohms (min.) at 500VDC
- Dielectric Strength:** 1000V RMS (min.) for 1 minute
- Operation Force:** 400 plus/minus 200 gram
- Temperature Rating:** +32°F to +149°F (0°C to +65°C)
- Electrical Life:** 6000 cycles
- Mechanical Life:** 50,000 cycles
- Terminal Type:** 18 AWG, 6" length
- Mounting Hole:** .393 (10.0)