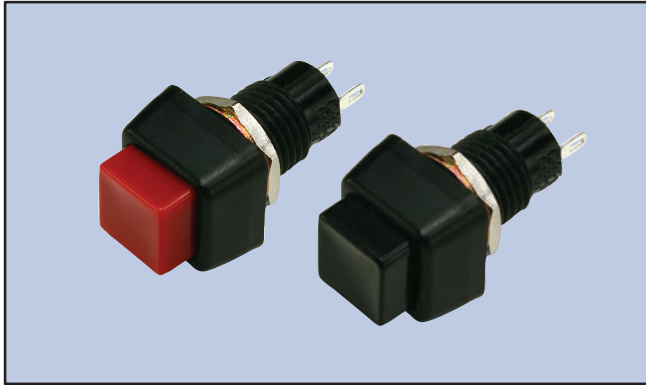
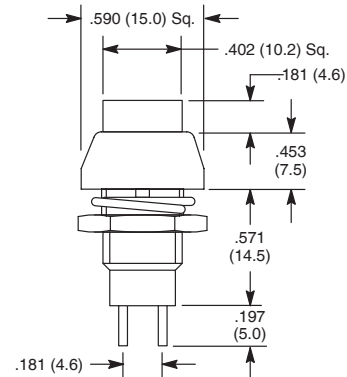


# Pushbutton, Single Pole



S73



NTE Type No.	Circuitry	Action		Actuator		Diag No.
				Material	Color	
54-389	SPST	OFF	(ON)	ABS Resin	Black	S73
54-390-2	SPST	OFF	ON	ABS Resin	Black	S73
54-391-2	SPST	OFF	ON	ABS Resin	Red	S73

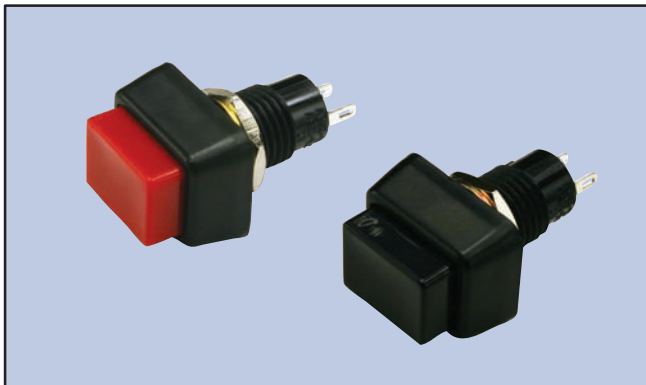
NEW  
NEW

SPECIAL NOTE: ( ) = Momentary Function

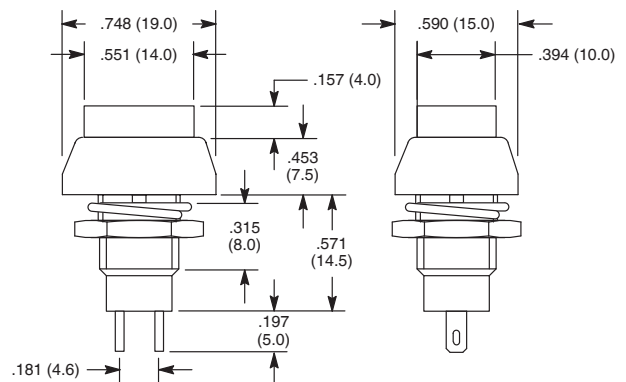
## Specifications

**Current Rating:** 3A 125VAC, 1A 250VAC  
**Insulation Resistance:** 100 Megohms (min.) at 500VDC  
**Dielectric Strength:** 1500V RMS (min.)  
**Temperature Rating:** +14° to +131°F (-10° to +55°C)  
**Electrical Life:** 50,000 cycles  
**Mechanical Life:** 100,000 cycles  
**Terminal Type:** Solder Lug  
**Mounting Hole:** .402 (10.2)

# Pushbutton, Single Pole



S74



NTE Type No.	Circuitry	Action		Actuator		Diag No.
				Material	Color	
54-390	SPST	OFF	(ON)	ABS Resin	Black	S74
54-391	SPST	OFF	(ON)	ABS Resin	Red	S74

SPECIAL NOTE: ( ) = Momentary Function

## Specifications

**Current Rating:** 3A 125VAC, 1A 250VAC  
**Insulation Resistance:** 100 Megohms (min.) at 500VDC  
**Dielectric Strength:** 1500V RMS (min.)  
**Temperature Rating:** +14° to +131°F (-10° to +55°C)  
**Electrical Life:** 50,000 cycles  
**Mechanical Life:** 100,000 cycles  
**Terminal Type:** Solder Lug  
**Mounting Hole:** .402 (10.2)