

Miniature Snap-In Nylon Rocker, Single Pole



Features

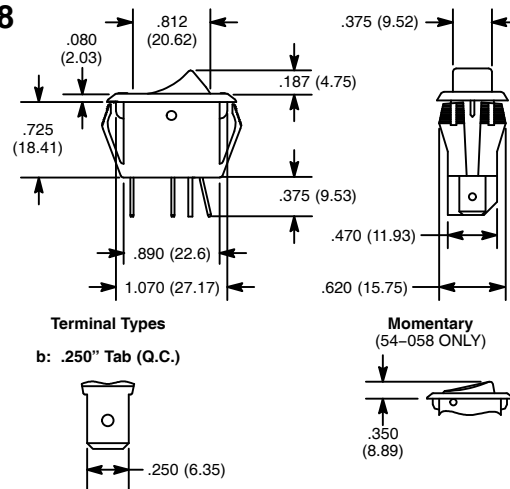
- Fits Standard Panel Cutout



| NTE Type No. | Circuitry | Action | | | Actuator | | Diag No. |
|--------------|-----------|--------|------|------|--------------------|-------|----------|
| | | | | | Material | Color | |
| 54-058* | SPST | OFF | NONE | (ON) | Polyester or Nylon | White | S18b |
| 54-059 | SPST | OFF | NONE | ON | | Black | S18b |
| 54-060 | SPST | OFF | NONE | ON | | Black | S18b |
| 54-061 | SPDT | ON | NONE | ON | | Black | S18b |
| 54-062** | SPST | OFF | NONE | ON | | Black | S18b |
| 54-063 | SPDT | ON | OFF | ON | | Black | S18b |

SPECIAL NOTE: () = Momentary Function
 * Momentary Rocker Style White Actuator
 ** Two Color Visi-Red Visi-Rocker Style Actuator

S18



Specifications

Current Rating: 16A 125VAC, 10A 250VAC, 3/4 HP 125-250VAC
 10(4)A 250VAC μ T85
(54-058 Only) 12A 125VAC, 8A 250VAC, 1/2 HP 125-250VAC
Insulation Resistance: 100 Megohms (min.)
Dielectric Strength: 1000V RMS (min.)
Temperature Rating: +32°F to +185°F (0°C to +85°C)
Electrical Life: 100,000 cycles
Mechanical Life: 100,000 cycles
Terminal Type: .250" Tab Q.C.
Mounting Hole: 1.125 (28.58) x .550 (13.97)

Miniature Snap-In Nylon Rocker, Single Pole



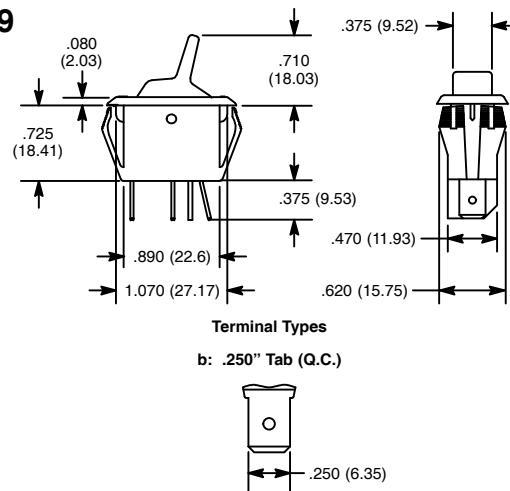
Features

- Fits Standard Panel Cutout



| NTE Type No. | Circuitry | Action | | | Actuator | | Diag No. |
|--------------|-----------|--------|------|----|--------------------|-------|----------|
| | | | | | Material | Color | |
| 54-102 | SPST | OFF | NONE | ON | Polyester or Nylon | Black | S19b |

S19



Specifications

Current Rating: 16A 125VAC, 10A 250VAC, 10(4)A 250VAC μ T85
Insulation Resistance: 100 Megohms (min.)
Dielectric Strength: 1000V RMS (min.)
Temperature Rating: +32°F to +185°F (0°C to +85°C)
Electrical Life: 100,000 cycles
Mechanical Life: 100,000 cycles
Terminal Type: .250" Tab Q.C.
Mounting Hole: 1.125 (28.58) x .550 (13.97)

Miniature Snap-In Nylon Rocker

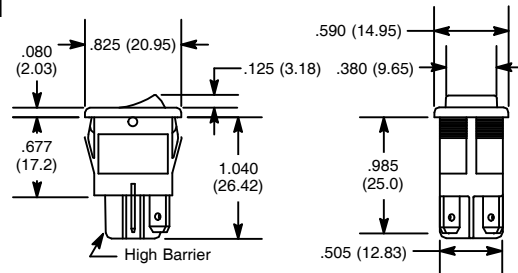


Features

- Single & Double Pole Types
- Double Insulated
- High Barrier Type

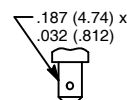


S21



Terminal Types

b: .187" Tab (Q.C.)



Mounting Hole

| Panel Thickness | Y |
|---------------------------|--------------|
| .030 (.762) - .060 (1.52) | .756 (19.20) |
| .060 (1.52) - .093 (2.36) | .764 (19.40) |
| .093 (2.36) - .156 (3.96) | .780 (19.81) |

| NTE Type No. | Circuitry | Action | | | Actuator | | Diag No. |
|--------------|-----------|--------|------|-----|----------|-------|----------|
| | | | | | Material | Color | |
| 54-074 | SPDT | ON | NONE | ON | Nylon | Black | S21b |
| 54-075 | SPST | ON | NONE | OFF | Nylon | Black | S21b |
| 54-076 | DPST | ON | NONE | OFF | Nylon | Black | S21b |
| 54-077 | SPDT | ON | NONE | ON | Nylon | Black | S21b |

Specifications

Current Rating: 8A 125VAC, 4A 250VAC, Inductive 6(4)A 250VAC T85**

Insulation Resistance: 100 Megohms (min.)

Dielectric Strength: 1000V RMS (min.)

Temperature Rating: +32°F to +185°F (0°C to +85°C)

Electrical Life: 50,000 cycles

Mechanical Life: 100,000 cycles

Terminal Type: .187" Tab Q.C.

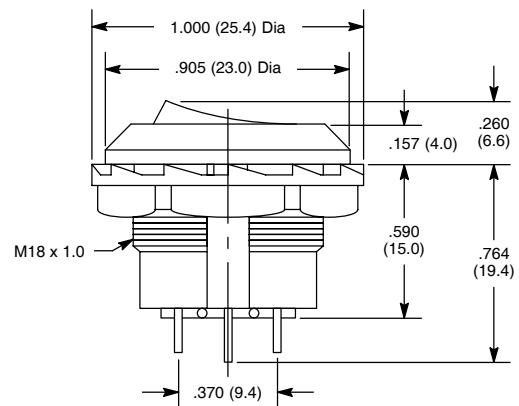
Mounting Hole: See Table 1

** 54-075, 54-076, 54-077 ONLY

Round Hole Rocker, Single & Double Pole



S89



| NTE Type No. | Circuitry | Action | | | Actuator | Legend | Diag No. |
|--------------|-----------|--------|------|-----|----------|--------|----------|
| | | | | | | | |
| 54-500 | SPST | ON | NONE | OFF | Nylon | Yes | S89 |
| 54-501 | SPDT | ON | NONE | ON | Nylon | No | S89 |
| 54-502 | DPDT | ON | NONE | ON | Nylon | No | S89 |

Specifications

Current Rating: 10A 125VAC, 6A 250VAC

Insulation Resistance: 100 Megohms (min.) at 500VDC

Dielectric Strength: 1000V RMS (min.)

Temperature Rating: -4°F to +149°F (-20°C to +65°C)

Electrical Life: 6000 cycles (min.)

Mechanical Life: 100,000 cycles (min.)

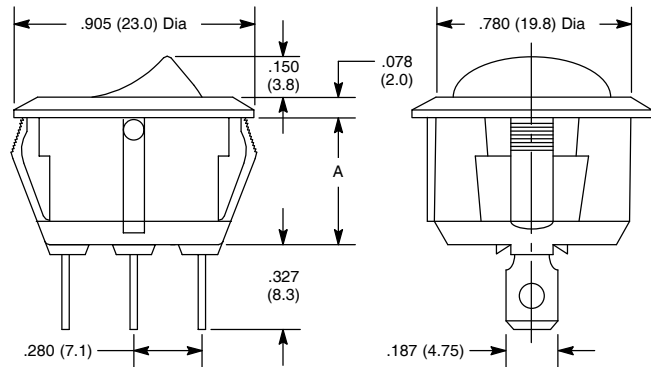
Terminal Type: Solder Lug

Mounting Hole: .717 (18.2)

Snap-In Round Hole Rocker, Single Pole



S90



NOTE: The 54-503, 54-520, 54-521 and 54-522 contain the ON/OFF legend not represented by the photo.

Table 1.

| Device Type | A |
|-------------|-------------|
| All Devices | .472 (12.0) |
| 54-504 | .570 (14.5) |

| NTE Type No. | Circuitry | Action | | | Actuator | Legend | Diag No. |
|--------------|-----------|--------|------|-------|----------|--------|----------|
| 54-503 | SPST | ON | NONE | OFF | Nylon | Yes | S90 |
| 54-504 | SPDT | ON | OFF | ON | Nylon | No | S90 |
| 54-505 | SPDT | ON | NONE | ON | Nylon | No | S90 |
| 54-520 | SPST | (ON) | NONE | OFF | Nylon | Yes | S90 |
| 54-521 | SPST | ON | NONE | (OFF) | Nylon | Yes | S90 |
| 54-522 | SPDT | ON | NONE | (ON) | Nylon | Yes | S90 |

Specifications

Current Rating: 16A 125VAC, 10A 250VAC
Insulation Resistance: 100 Megohms (min.) at 500VDC
Dielectric Strength: 1500V RMS (min.)
Temperature Rating: -4°F to +149°F (-20°C to +65°C)
Electrical Life: 6000 cycles (min.)
Mechanical Life: 100,000 cycles (min.)
Terminal Type: .187" Tab Q.C.
Mounting Hole: .795 (20.2)

SPECIAL NOTE: () = Momentary Function

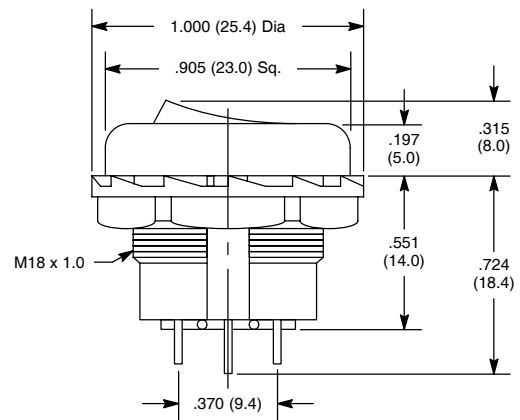
Round Hole Rocker, Square Bezel

Features

- Single & Double Pole Types



S92



| NTE Type No. | Circuitry | Action | | | Actuator | Legend | Diag No. |
|--------------|-----------|--------|------|-----|-----------|--------|----------|
| 54-507 | SPST | ON | NONE | OFF | Red Nylon | Yes | S92 |
| 54-508 | SPDT | ON | NONE | ON | Red Nylon | No | S92 |
| 54-509 | DPDT | ON | NONE | ON | Red Nylon | No | S92 |

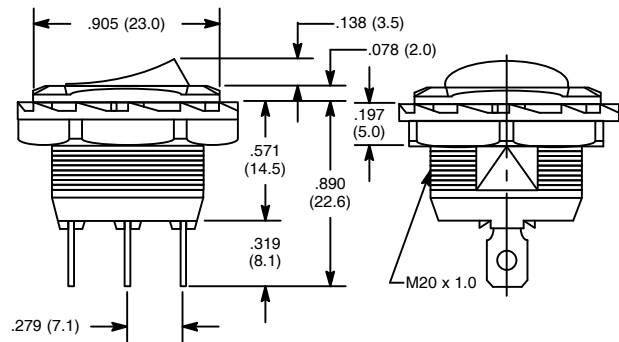
Specifications

Current Rating: 10A 125VAC, 6A 250VAC
Insulation Resistance: 100 Megohms (min.) at 500VDC
Dielectric Strength: 1500V RMS (min.)
Temperature Rating: -4°F to +149°F (-20°C to +65°C)
Electrical Life: 6000 cycles (min.)
Mechanical Life: 100,000 cycles (min.)
Terminal Type: Solder Lug
Mounting Hole: .717 (18.2)

Round Hole Rocker, Single Pole



S93



NOTE: The 54-511, 54-512 and 54-548 do not have the legend represented by the photo.

| NTE Type No. | Circuitry | Action | | | Actuator | Legend | Diag No. |
|--------------|-----------|--------|------|-------|----------|--------|----------|
| 54-510 | SPST | ON | NONE | OFF | Nylon | Yes | S93 |
| 54-511 | SPDT | ON | OFF | ON | Nylon | No | S93 |
| 54-512 | SPDT | ON | NONE | ON | Nylon | No | S93 |
| 54-543 | SPST | (ON) | NONE | OFF | Nylon | Yes | S93 |
| 54-544 | SPST | ON | NONE | (OFF) | Nylon | Yes | S93 |
| 54-545 | SPDT | ON | NONE | (ON) | Nylon | Yes | S93 |
| 54-546 | SPDT | ON | OFF | (ON) | Nylon | Yes | S93 |
| 54-548 | SPDT | (ON) | OFF | (ON) | Nylon | No | S93 |

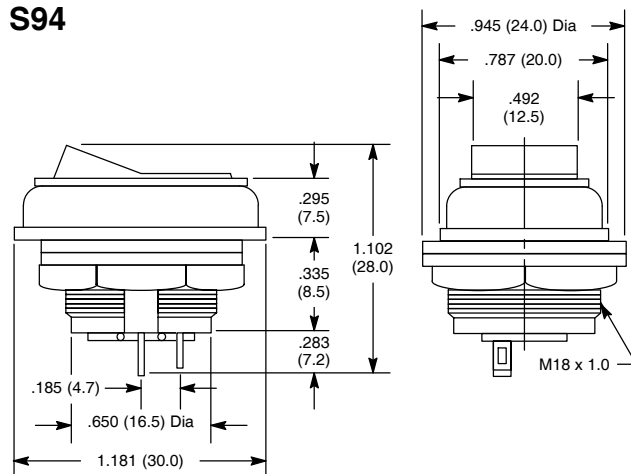
Specifications

Current Rating: 16A 125VAC, 10A 250VAC
Insulation Resistance: 100 Megohms (min.) at 500VDC
Dielectric Strength: 1500V RMS (min.)
Temperature Rating: -4°F to +149°F (-20°C to +65°C)
Electrical Life: 6000 cycles (min.)
Mechanical Life: 100,000 cycles (min.)
Terminal Type: .185" Tab Q.C.
Mounting Hole: .795 (20.2)

Round Hole Rocker, Single & Double Pole



S94



| NTE Type No. | Circuitry | Action | | | Actuator | Legend | Diag No. |
|--------------|-----------|--------|------|-----|----------|--------|----------|
| 54-514 | SPST | ON | NONE | OFF | Nylon | Yes | S94 |
| 54-515 | SPDT | ON | NONE | ON | Nylon | No | S94 |
| 54-516 | DPDT | ON | NONE | ON | Nylon | No | S94 |

Specifications

Current Rating: 6A 125VAC, 3A 250VAC
Insulation Resistance: 100 Megohms (min.) at 500VDC
Dielectric Strength: 1500V RMS (min.)
Temperature Rating: -4°F to +149°F (-20°C to +65°C)
Electrical Life: 6000 cycles (min.)
Mechanical Life: 100,000 cycles (min.)
Terminal Type: Solder Lug
Mounting Hole: .717 (18.2)

Snap-In Nylon Rocker, Single & Double Pole



Features

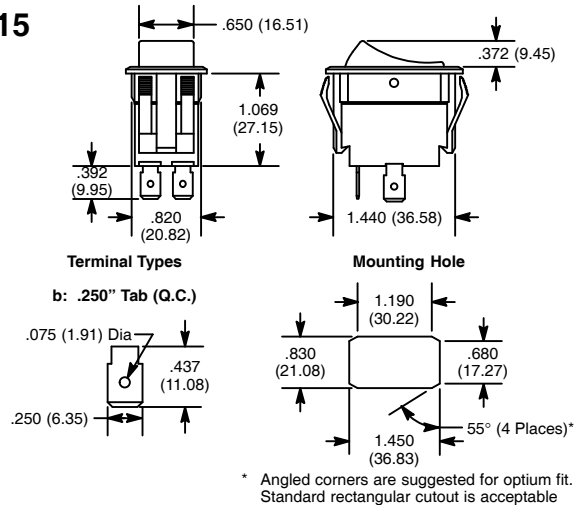
- AC Rated, Also Suitable for Low Voltage DC Applications



| NTE Type No. | Circuitry | Action | | | Actuator | | Diag No. |
|--------------|-----------|--------|------|-------|----------|-------|----------|
| | | | | | Material | Color | |
| 54-047 | SPST | ON | NONE | OFF | Nylon | Black | S15b |
| 54-048 | SPDT | ON | NONE | ON | Nylon | Black | S15b |
| 54-049 | SPDT | ON | OFF | ON | Nylon | Black | S15b |
| 54-050 | DPST | ON | NONE | OFF | Nylon | Black | S15b |
| 54-051 | DPDT | ON | NONE | ON | Nylon | Black | S15b |
| 54-052 | DPDT | ON | OFF | ON | Nylon | Black | S15b |
| 54-114 | DPST | (ON) | NONE | OFF | Nylon | Black | S15b |
| 54-115 | DPST | ON | NONE | (OFF) | Nylon | Black | S15b |
| 54-116 | DPDT | ON | NONE | (ON) | Nylon | Black | S15b |
| 54-117 | DPDT | ON | OFF | (ON) | Nylon | Black | S15b |
| 54-118 | DPDT | (ON) | OFF | (ON) | Nylon | Black | S15b |

SPECIAL NOTE: () = Momentary Function

S15



Specifications

Current Rating: 15A 125VAC, 10A 250VAC, 3/4 HP 125-250VAC

Insulation Resistance: 100 Megohms (min.)

Dielectric Strength: 1000V RMS (min.)

Temperature Rating: +32°F to +185°F (0°C to +85°C)

Electrical Life: 50,000 cycles

Mechanical Life: 100,000 cycles (min.)

Terminal Type: .250" Tab Q.C.

Mounting Hole: 1.450 (36.83) x .830 (21.08)

Snap-In Nylon Rocker, Double Pole



Features

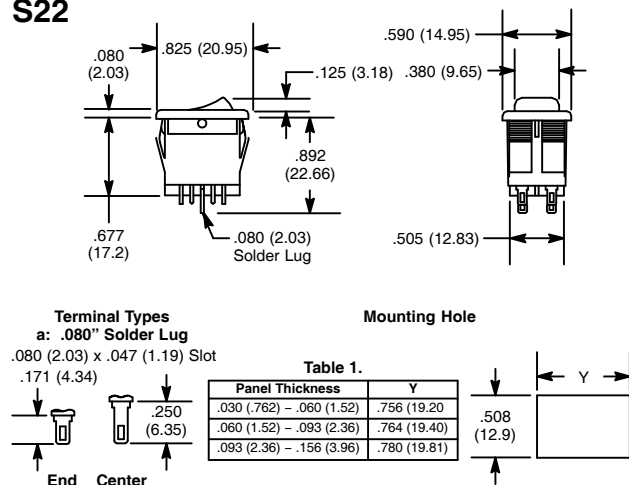
- Single & Double Pole Types
- Double Insulated



| NTE Type No. | Circuitry | Action | | | Actuator | | Diag No. |
|--------------|-----------|--------|------|------|----------|-------|----------|
| | | | | | Material | Color | |
| 54-073 | DPDT | ON | NONE | ON | Nylon | Black | S22a |
| 54-078 | DPDT | ON | NONE | (ON) | Nylon | Black | S22a |
| 54-079 | DPDT | ON | OFF | ON | Nylon | Black | S22a |

SPECIAL NOTE: () = Momentary Function

S22



Specifications

Current Rating: 8A 125VAC, 4A 250VAC

Insulation Resistance: 100 Megohms (min.)

Dielectric Strength: 1000V RMS (min.)

Temperature Rating: +32°F to +185°F (0°C to +85°C)

Electrical Life: 50,000 cycles

Mechanical Life: 100,000 cycles

Terminal Type: .080" Solder Lug

Mounting Hole: See Table 1

Miniature Snap-In Nylon Rocker, Double Pole

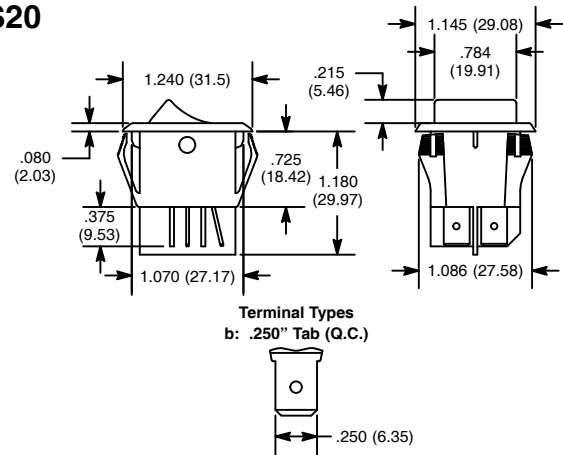


Features

- .250" Quick Connect Terminals
- Fits Standard Panel Cutout
- Withstand Peak Inrush to 100 Amps



S20



Specifications

Current Rating: 20A 125VAC, 15A 250VAC, 3/4 HP 125–250VAC
Insulation Resistance: 100 Megohms (min.)
Dielectric Strength: 1000V RMS (min.)
Temperature Rating: -40°F to +185°F (-40°C to +85°C)
Electrical Life: 50,000 cycles
Mechanical Life: 100,000 cycles
Terminal Type: .250" Tab Q.C.
Mounting Hole: 1.125 (28.58) x 1.000 (25.4)

| NTE Type No. | Circuitry | Action | | | Actuator | | Diag No. |
|--------------|-----------|--------|------|----|----------|-------|----------|
| | | | | | Material | Color | |
| 54-081 | DPST | OFF | NONE | ON | Nylon | Black | S20b |

Snap-In Nylon Illuminated Rocker, Single Pole

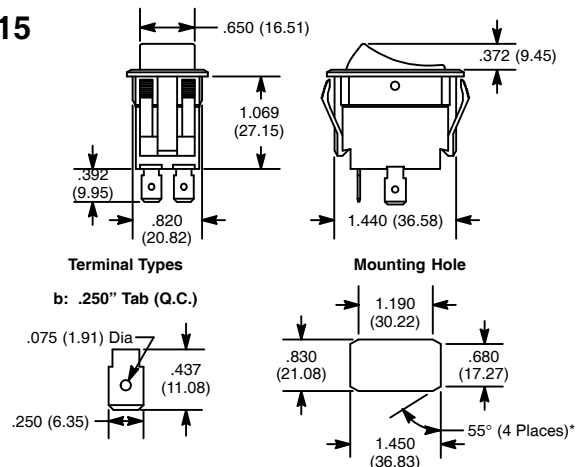


Features

- AC Rated, Also Suitable for Low Voltage DC Applications



S15



* Angled corners are suggested for optimum fit. Standard rectangular cutout is acceptable.

Specifications

Current Rating: 15A 125VAC, 10A 250VAC, 1/2 HP 125–250VAC
Lens Color: Amber
Lamp Voltage: 125V Neon
Insulation Resistance: 100 Megohms (min.)
Dielectric Strength: 1000V RMS (min.)
Temperature Rating: +32°F to +185°F (0°C to +85°C)
Electrical Life: 50,000 cycles
Mechanical Life: 100,000 cycles
Terminal Type: .250" Tab Q.C.
Mounting Hole: 1.450 (36.83) x .830 (21.08)

| NTE Type No. | Circuitry | Action | | | Actuator | Lens Color | Diag No. |
|--------------|-----------|--------|--|--|----------|------------|----------|
| | | | | | | | |

Miniature Snap-In Nylon Illuminated Rocker



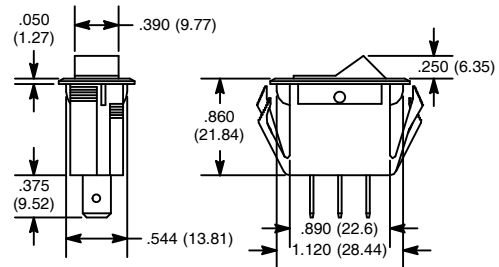
Features

- Single Pole
- AC Rated, Also Suitable for Low Voltage DC Applications
- Double Insulated



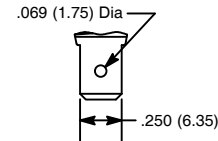
| NTE Type No. | Circuitry | Action | | | Actuator | Lens Color | Diag No. |
|--------------|-----------|--------|------|----|----------|------------|----------|
| 54-054 | SPST | OFF | NONE | ON | Nylon | Red | S16b |

S16



Terminal Types

b: .250" Tab (Q.C.)



Specifications

Current Rating: 15A 125VAC, 10A 250VAC, 3/4 HP 125-250VAC
Lens Color: Red
Lamp Voltage: 125V Neon
Insulation Resistance: 100 Megohms (min.)
Dielectric Strength: 1000V RMS (min.)
Temperature Rating: +32°F to +185°F (0°C to +85°C)
Electrical Life: 100,000 cycles
Mechanical Life: 100,000 cycles
Terminal Type: .250" Tab Q.C.
Mounting Hole: 1.125 (28.57) x .550 (13.97)

Miniature Snap-In Nylon Illuminated Rocker



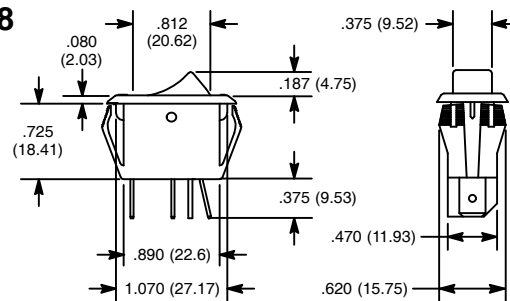
Features

- Single Pole
- .250" Quick Connect Terminals



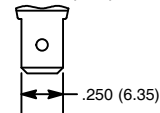
| NTE Type No. | Circuitry | Action | | | Actuator | Lens Color | Diag No. |
|--------------|-----------|--------|------|----|-------------------|------------|----------|
| 54-064 | SPST | OFF | NONE | ON | Translucent Nylon | Amber | S18b |
| 54-065 | SPST | OFF | NONE | ON | | Red | S18b |
| 54-517 | SPST | OFF | NONE | ON | Clear Nylon | Red | S18b |
| 54-518 | SPST | OFF | NONE | ON | | Green | S18b |
| 54-519 | SPST | OFF | NONE | ON | | Amber | S18b |

S18



Terminal Types

b: .250" Tab (Q.C.)



Specifications

Current Rating: 16A 125VAC, 10A 250VAC, 10(4)A 250VAC μ T85
Lens Color: See Table
Lamp Voltage: 125V Neon
Insulation Resistance: 100 Megohms (min.)
Dielectric Strength: 1000V RMS (min.)
Temperature Rating: +32°F to +185°F (0°C to +85°C)
Electrical Life: 100,000 cycles
Mechanical Life: 100,000 cycles
Terminal Type: .250" Tab Q.C.
Mounting Hole: 1.125 (28.58) x .550 (13.97)

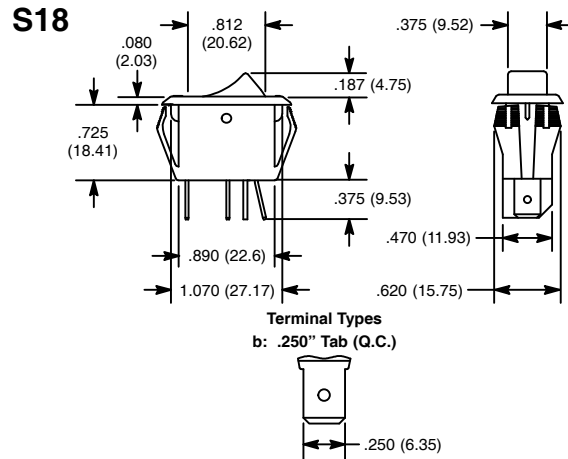
Miniature Snap-In Illuminated Rocker, Single Pole for Low Voltage Applications

Features

- For Low Voltage Applications
- .250" Quick Connect Terminals



| NTE Type No. | Circuitry | Action | | | Actuator | Lens Color | Diag No. |
|--------------|-----------|--------|------|----|-------------------|------------|----------|
| 54-083 | SPST | OFF | NONE | ON | Translucent Nylon | Red | S18b |
| 54-086 | SPST | OFF | NONE | ON | Clear Nylon | Blue | S18b |



Specifications

Current Rating: 10A 12VDC
Lens Color: See Table
Lamp Voltage: 12V Incandescent
Insulation Resistance: 100 Megohms (min.)
Dielectric Strength: 1000V RMS (min.)
Temperature Rating: +32°F to +185°F (0°C to +85°C)
Electrical Life: 100,000 cycles
Mechanical Life: 100,000 cycles
Terminal Type: .250" Tab Q.C.
Mounting Hole: 1.125 (28.58) x .550 (13.97)

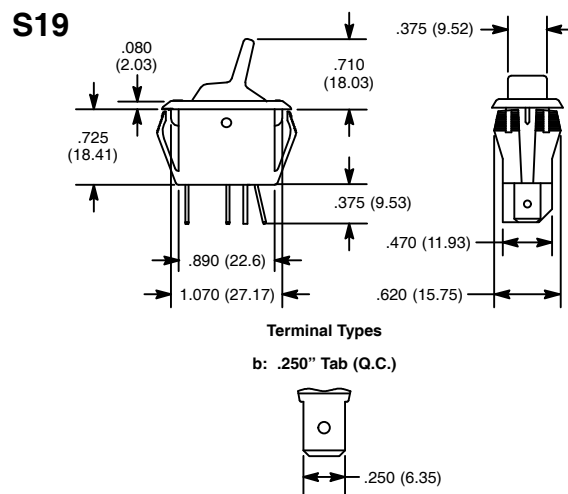
Miniature Snap-In Nylon Illuminated Rocker

Features

- Single Pole
- .250" Quick Connect Terminals



| NTE Type No. | Circuitry | Action | | | Actuator | Lens Color | Diag No. |
|--------------|-----------|--------|------|----|-------------------|------------|----------|
| 54-105 | SPST | OFF | NONE | ON | Translucent Nylon | Amber | S19b |
| 54-106 | SPST | OFF | NONE | ON | | Red | S19b |



Specifications

Current Rating: 16A 125VAC, 10A 250VAC, 10(4)A 250VAC_μ
Lens Color: See Table
Lamp Voltage: 125V Neon
Insulation Resistance: 100 Megohms (min.)
Dielectric Strength: 1000V RMS (min.)
Temperature Rating: +32°F to +185°F (0°C to +85°C)
Electrical Life: 100,000 cycles
Mechanical Life: 100,000 cycles
Terminal Type: .250" Tab Q.C.
Mounting Hole: 1.125 (28.58) x .550 (13.97)

Miniature Snap-In Nylon Illuminated Rocker

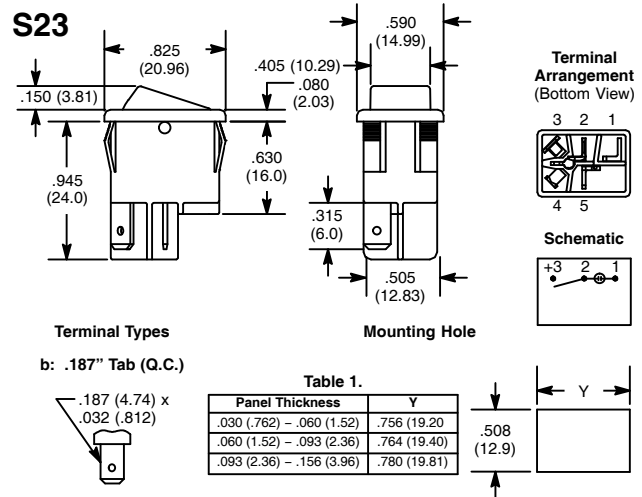


Features

- Single Pole
- .187" Quick Connect Terminals
- Fits Standard Panel Cutout
- High Inrush Capability
- Shallow base Design



| NTE Type No. | Circuitry | Action | | | Actuator | Lens Color | Diag No. |
|--------------|-----------|--------|------|-----|---------------|------------|----------|
| 54-080 | SPST | ON | NONE | OFF | Polycarbonate | Red | S23b |



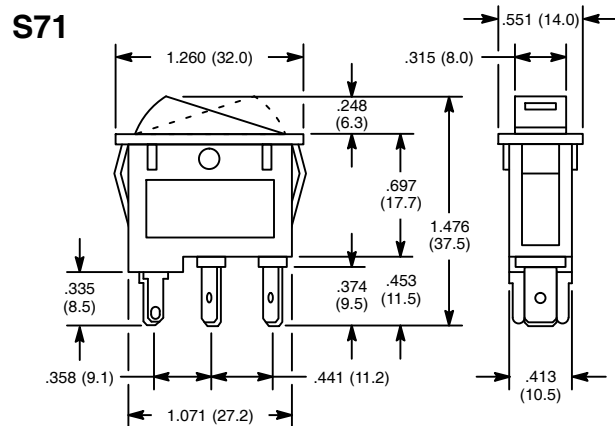
Specifications

Current Rating: 12A 125VAC, 8A 250VAC, 1/2 HP 125-250VAC
Lens Color: Red
Lamp Voltage: 125V Neon
Insulation Resistance: 50 Megohms (min.)
Dielectric Strength: 1500V RMS (min.)
Temperature Rating: +32°F to +185°F (0°C to +85°C)
Electrical Life: 50,000 cycles
Mechanical Life: 100,000 cycles
Terminal Type: .187" Tab Q.C.
Mounting Hole: See Table 1

Snap-In Illuminated Rocker, Single Pole



| NTE Type No. | Circuitry | Action | | | Actuator | | Lens Color | Diag No. |
|--------------|-----------|--------|------|-----|---------------|-------|------------|----------|
| | | | | | Material | Color | | |
| 54-386 | SPST | ON | NONE | OFF | Polycarbonate | White | Red | S71 |
| 54-387 | SPST | ON | NONE | OFF | Polycarbonate | Black | Red | S71 |



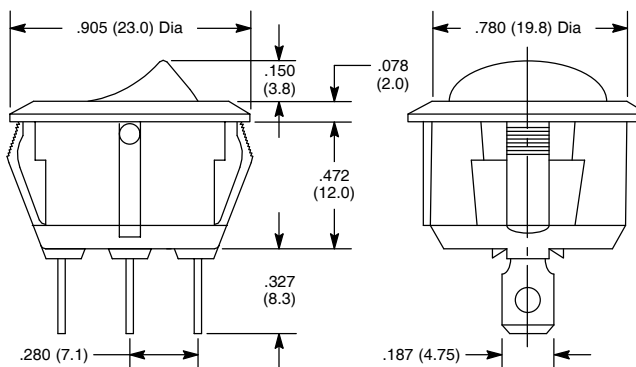
Specifications

Current Rating: 10A 125VAC
Lens Color: See Table
Lamp Voltage: 2.1V LED
Insulation Resistance: 100 Megohms (min.) at 500VDC
Dielectric Strength: 1000V RMS (min.)
Temperature Rating: +14°F to +131°F (-10°C to +55°C)
Electrical Life: 20,000 cycles
Mechanical Life: 30,000 cycles
Terminal Type: .250" Tab Q.C.
Mounting Hole: 1.189 (30.2) x .433 (11.0)

Snap-In Round Hole Illuminated Rocker, Single Pole



S90



| NTE Type No. | Circuitry | Action | | | Actuator | | | Diag No. | |
|--------------|-----------|--------|------|-----|----------|-------|-------|----------|------|
| | | | | | Material | Color | | | Vltg |
| 54-506 | SPST | ON | NONE | OFF | | Nylon | Red | - | |
| 54-532 | SPST | ON | NONE | OFF | Nylon | Amber | - | AC | S90 |
| 54-533 | SPST | ON | NONE | OFF | Nylon | Green | - | AC | S90 |
| 54-534 | SPST | ON | NONE | OFF | Nylon | - | Red | DC | S90 |
| 54-535 | SPST | ON | NONE | OFF | Nylon | - | Amber | DC | S90 |
| 54-536 | SPST | ON | NONE | OFF | Nylon | - | Green | DC | S90 |
| 54-537 | SPST | ON | NONE | OFF | Nylon | - | Blue | DC | S90 |

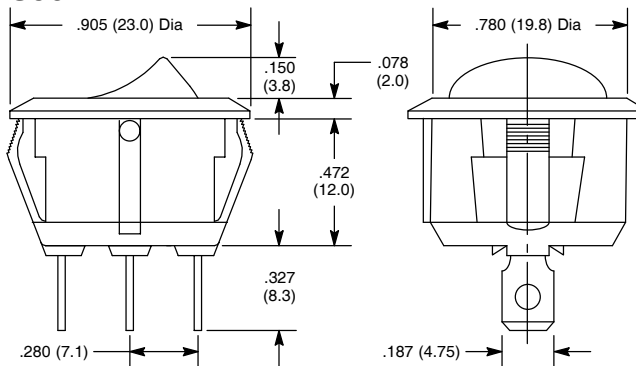
Specifications

Current Rating: 16A 125VAC, 10A 250VAC
Lens Color: See Table
Lamp Voltage: 110V Neon (AC) & 2V @ 20mA* LED (DC)
Insulation Resistance: 100 Megohms (min.) at 500VDC
Dielectric Strength: 1500V RMS (min.)
Temperature Rating: -4°F to +149°F (-20°C to +65°C)
Electrical Life: 6000 cycles (min.)
Mechanical Life: 100,000 cycles (min.)
Terminal Type: .187" Tab Q.C.
Mounting Hole: .795 (20.2)
 * Resistor needed for other voltages.

Snap-In Round Hole Illuminated Rocker, Single Pole



S90



| NTE Type No. | Circuitry | Action | | | Actuator | | | Diag No. |
|--------------|-----------|--------|------|-----|----------|-------|-------|----------|
| | | | | | Material | Color | | |
| 54-525 | SPST | ON | NONE | OFF | | Nylon | Amber | AC |
| 54-526 | SPST | ON | NONE | OFF | Nylon | Green | AC | S90 |
| 54-527 | SPST | ON | NONE | OFF | Nylon | Red | DC | S90 |
| 54-528 | SPST | ON | NONE | OFF | Nylon | Amber | DC | S90 |
| 54-529 | SPST | ON | NONE | OFF | Nylon | Green | DC | S90 |
| 54-530 | SPST | ON | NONE | OFF | Nylon | Blue | DC | S90 |
| 54-531 | SPST | ON | NONE | OFF | Nylon | Red | AC | S90 |

Specifications

Current Rating: 16A 125VAC, 10A 250VAC
Lens Color: See Table
Lamp Voltage: 110V (AC) Neon, 12V (DC) Neon
Insulation Resistance: 100 Megohms (min.) at 500VDC
Dielectric Strength: 1500V RMS (min.)
Temperature Rating: -4°F to +149°F (-20°C to +65°C)
Electrical Life: 6000 cycles (min.)
Mechanical Life: 100,000 cycles (min.)
Terminal Type: .187" Tab Q.C.
Mounting Hole: .795 (20.2)

Round Hole Illuminated Rocker, Square Bezel



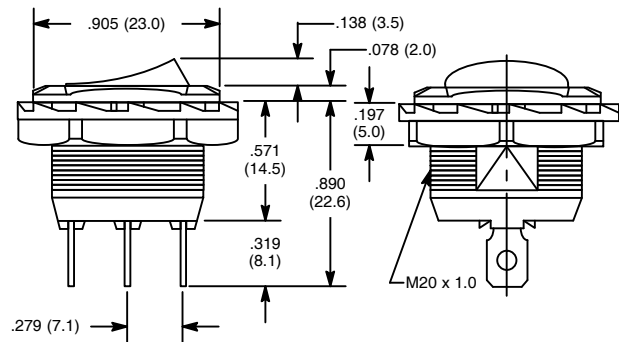
Features

- Single Pole



| NTE Type No. | Circuitry | Action | | | Actuator | | Diag No. |
|--------------|-----------|--------|------|-----|----------|-------|----------|
| | | | | | Material | Color | |
| 54-513 | SPST | ON | NONE | OFF | Nylon | Red | S93 |
| 54-549 | SPST | ON | NONE | OFF | Nylon | Amber | S93 |
| 54-550 | SPST | ON | NONE | OFF | Nylon | Green | S93 |

S93



Specifications

Current Rating: 16A 125VAC, 10A 250VAC
Lens Color: See Table
Lamp Voltage: 110V Neon
Insulation Resistance: 100 Megohms (min.) at 500VDC
Dielectric Strength: 1500V RMS (min.)
Temperature Rating: -4°F to +149°F (-20°C to +65°C)
Electrical Life: 6000 cycles (min.)
Mechanical Life: 100,000 cycles (min.)
Terminal Type: .187" Tab Q.C.
Mounting Hole: .795 (20.2)

Round Hole Illuminated Rocker, Square Bezel



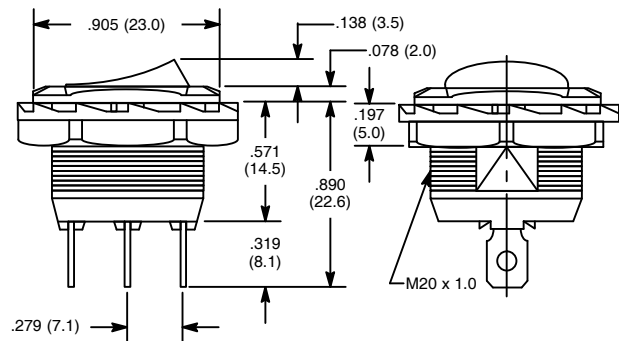
Features

- Single Pole



| NTE Type No. | Circuitry | Action | | | Actuator | | Diag No. |
|--------------|-----------|--------|------|-----|----------|-----------|----------|
| | | | | | Material | LED Color | |
| 54-551 | SPST | ON | NONE | OFF | Nylon | Red | S93 |
| 54-552 | SPST | ON | NONE | OFF | Nylon | Amber | S93 |
| 54-553 | SPST | ON | NONE | OFF | Nylon | Green | S93 |
| 54-554 | SPST | ON | NONE | OFF | Nylon | Blue | S93 |

S93



Specifications

Current Rating: 16A 125VAC, 10A 250VAC
LED Color: See Table
Lamp Voltage: 2V LED
Insulation Resistance: 100 Megohms (min.) at 500VDC
Dielectric Strength: 1500V RMS (min.)
Temperature Rating: -4°F to +149°F (-20°C to +65°C)
Electrical Life: 6000 cycles (min.)
Mechanical Life: 100,000 cycles (min.)
Terminal Type: .187" Tab Q.C.
Mounting Hole: .795 (20.2)

Miniature Snap-In Nylon Illuminated Rocker



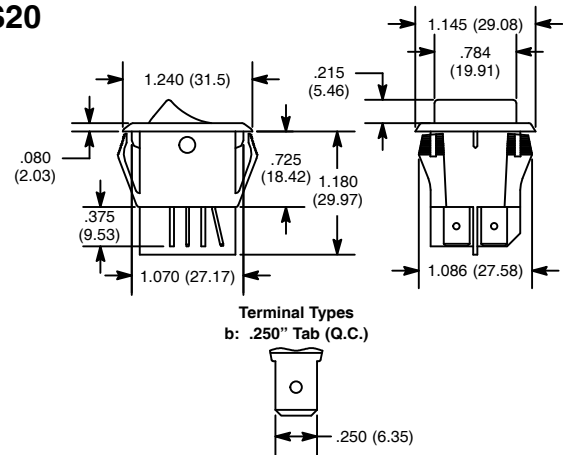
Features

- Double Pole
- .250" Quick Connect Terminals
- High Inrush Capability



| NTE Type No. | Circuitry | Action | | | Actuator | Lens Color | Diag No. |
|--------------|-----------|--------|------|----|-------------------|------------|----------|
| 54-082 | DPST | OFF | NONE | ON | Translucent Nylon | Red | S20b |

S20



Specifications

Current Rating: 20A 125VAC, 15A 250VAC
Lens Color: Red
Lamp Voltage: 125V Neon
Insulation Resistance: 100 Megohms (min.)
Dielectric Strength: 1000V RMS (min.)
Temperature Rating: +32°F to +185°F (0°C to +85°C)
Electrical Life: 50,000 cycles
Mechanical Life: 100,000 cycles
Terminal Type: .250" Tab Q.C.
Mounting Hole: 1.125 (28.58) x 1.000 (25.4)

Micro Snap-In Nylon Rocker, Single Pole

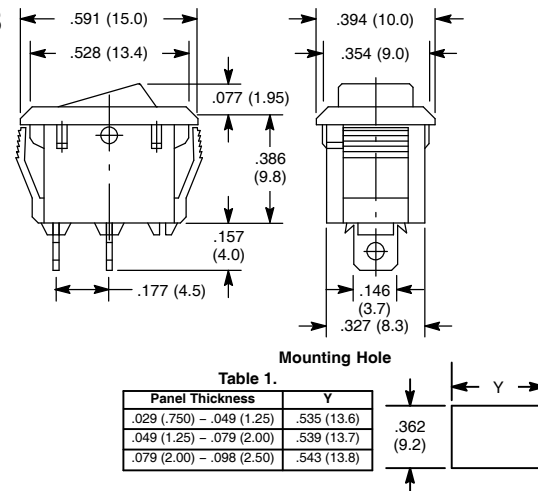


Features

- Fits Standard Panel Cutout
- RoHS Compliant



S108



Specifications

Current Rating: 6A 125VAC, 3A 250VAC, 3A 250VAC T100/55
Insulation Resistance: 100 Megohms (min.) at 500VDC
Dielectric Strength: 1000V RMS (min.) for 1 minute
Temperature Rating: +32°F to +212°F (0°C to +100°C)
Electrical Life: 10,000 cycles
Mechanical Life: 50,000 cycles
Terminal Type: Solder Lug
Mounting Hole: See Table 1.

| NTE Type No. | Circuitry | Action | | | Actuator | Legend | Diag No. |
|--------------|-----------|--------|------|-----|-------------|--------|----------|
| NEW 54-870 | SPST | ON | NONE | OFF | White Nylon | Yes | S108 |
| NEW 54-872 | SPST | ON | NONE | OFF | Black Nylon | Yes | S108 |
| NEW 54-874 | SPST | ON | NONE | OFF | Red Nylon | No | S108 |

Sealed Automotive/Marine Nylon Snap-In Rocker, Illuminated

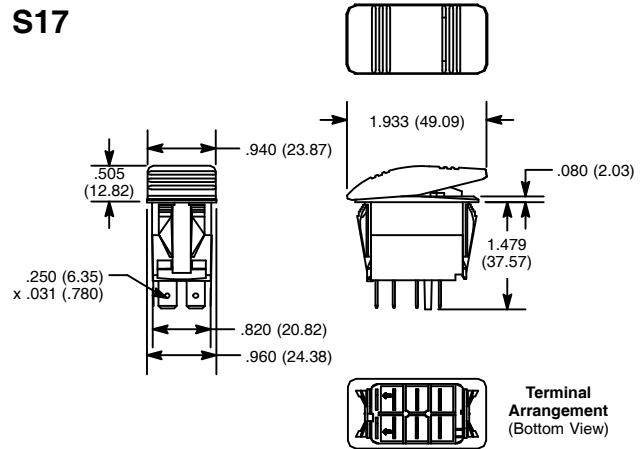


Features

- Illuminated and Non-Illuminated Types
- IP66/IP68 Certified
- UL1500 Recognized – Ignition Protection for Marine Use
- Sealed for Auto/Marine applications
- Salt Spray Resistant
- Able to Withstand -40° to $+85^{\circ}\text{C}$ Temperature



S17



NOTE: Lamp wired to Terminals 3 and 7.

Specifications

- Current Rating:** 20A 12VDC
- Lens Color:** See Table
- Lamp Voltage:** 12V Incandescent
- Insulation Resistance:** 50 Megohms (min.)
- Dielectric Strength:** 1500V RMS (min.)
- Temperature Rating:** -40°F to $+185^{\circ}\text{F}$ (-40°C to $+85^{\circ}\text{C}$)
- Electrical Life:** 50,000 to 100,000 cycles circuit dependent
- Mechanical Life:** 150,000 cycles
- Terminal Type:** .250" Tab Q.C.
- Mounting Hole:** 1.450 (36.83) x .830 (21.08)

| NTE Type No. | Circuitry | Action | | | Actuator | Lens Color | Diag No. | |
|--------------|-----------|--------|------|------|--|--|----------|-----|
| 54-034 | SPST | ON | NONE | OFF | Illuminated Thermoplastic polycarbonate with a hard Nylon 66 thermoplastic surface overlay | Amber | S17 | |
| 54-035 | SPST | ON | NONE | OFF | | Red | S17 | |
| 54-036 | DPDT | ON | OFF | ON | | Green | S17 | |
| 54-037 | DPDT | ON | OFF | ON | | Red | S17 | |
| 54-038 | SPST | (ON) | NONE | OFF | | Amber | S17 | |
| 54-039 | SPST | (ON) | NONE | OFF | | Red | S17 | |
| 54-040 | DPDT | (ON) | OFF | (ON) | | Amber | S17 | |
| 54-041 | DPDT | (ON) | OFF | (ON) | | Green | S17 | |
| 54-042 | DPDT | (ON) | OFF | (ON) | | Red | S17 | |
| 54-043 | DPDT | (ON) | OFF | (ON) | | Blue | S17 | |
| 54-044 | SPST | ON | NONE | OFF | | Thermoplastic polycarbonate with a hard Nylon 66 thermoplastic surface overlay | Black | S17 |
| 54-045 | DPDT | ON | NONE | ON | | | Black | S17 |
| 54-046 | DPDT | ON | OFF | ON | Black | | S17 | |
| 54-639 | DPDT | (ON) | OFF | (ON) | Black | | S17 | |
| 54-087 | SPST | ON | NONE | OFF | Illuminated Thermoplastic polycarbonate with a hard Nylon 66 thermoplastic surface overlay | Green | S17 | |
| 54-088 | SPST | ON | NONE | OFF | | Blue | S17 | |
| 54-089 | DPDT | ON | OFF | ON | | Amber | S17 | |
| 54-090 | DPDT | ON | OFF | ON | | Blue | S17 | |
| 54-091 | SPST | (ON) | NONE | OFF | | Green | S17 | |
| 54-092 | SPST | (ON) | NONE | OFF | | Blue | S17 | |

SPECIAL NOTE: () = Momentary Function

NEW