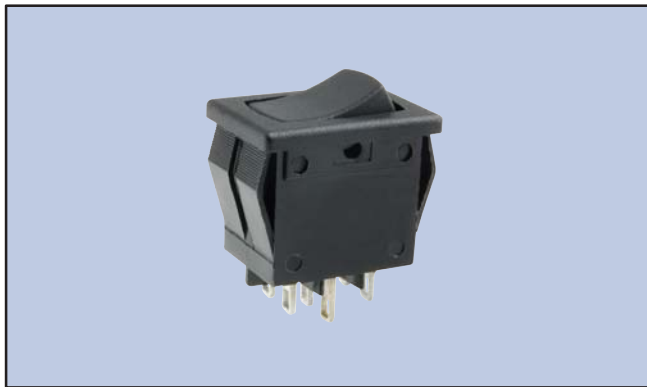


Snap-In Nylon Rocker

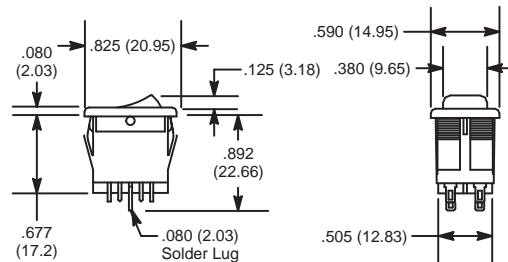


Features

- Double Pole Types
- Double Insulated

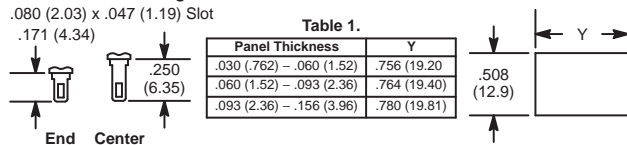


S22



Terminal Types
a: .080" Solder Lug
.080 (2.03) x .047 (1.19) Slot
.171 (4.34)

Mounting Hole



NTE Type No.	Circuitry	Action			Actuator		Diag No.
					Material	Color	
54-073	DPDT	ON	NONE	ON	Nylon	Black	S22a
54-078	DPDT	ON	NONE	(ON)	Nylon	Black	S22a
54-079	DPDT	ON	OFF	ON	Nylon	Black	S22a

SPECIAL NOTE: () = Momentary Function

Specifications

Current Rating: 8A 125VAC, 4A 250VAC
Insulation Resistance: 100 Megohms (min.)
Dielectric Strength: 1000V RMS (min.)
Temperature Rating: +32° to +185°F (0° to +85°C)
Electrical Life: 50,000 cycles
Mechanical Life: 100,000 cycles
Terminal Type: .080" Solder Lug
Mounting Hole: See Table 1

Sealed Automotive/Marine Nylon Snap-In Rocker

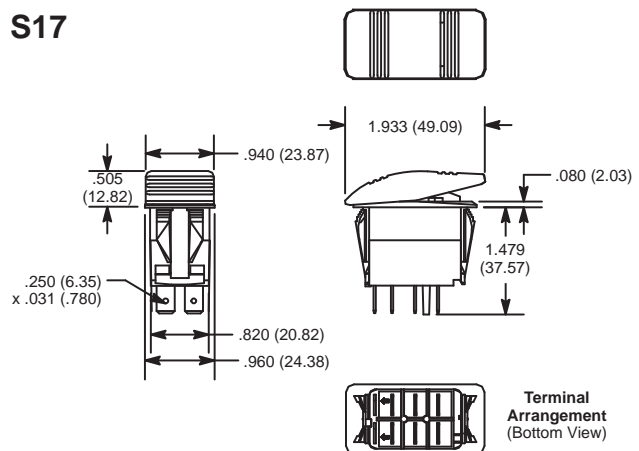


Features

- Illuminated Types Available on Page 38
- IP66/IP68 Certified
- UL1500 Recognized – Ignition Protection for Marine Use
- Sealed for Auto/Marine applications
- Salt Spray Resistant
- Able to Withstand -40° to +85°C Temperature



S17



NTE Type No.	Circuitry	Action			Actuator	Diag No.
54-044	SPST	ON	NONE	OFF	Thermoplastic polycarbonate with a hard Nylon 66 thermoplastic surface overlay	S17
54-045	DPDT	ON	NONE	ON		S17
54-046	DPDT	ON	OFF	ON		S17
54-639	DPDT	(ON)	OFF	(ON)		S17

SPECIAL NOTE: () = Momentary Function

Specifications

Current Rating: 20A 12VDC
Insulation Resistance: 50 Megohms (min.)
Dielectric Strength: 1500V RMS (min.)
Temperature Rating: -40° to +185°F (-40° to +85°C)
Electrical Life: 50,000 to 100,000 cycles circuit dependent
Mechanical Life: 150,000 cycles
Terminal Type: .250" Tab Q.C.
Mounting Hole: 1.450 (36.83) x .830 (21.08)